



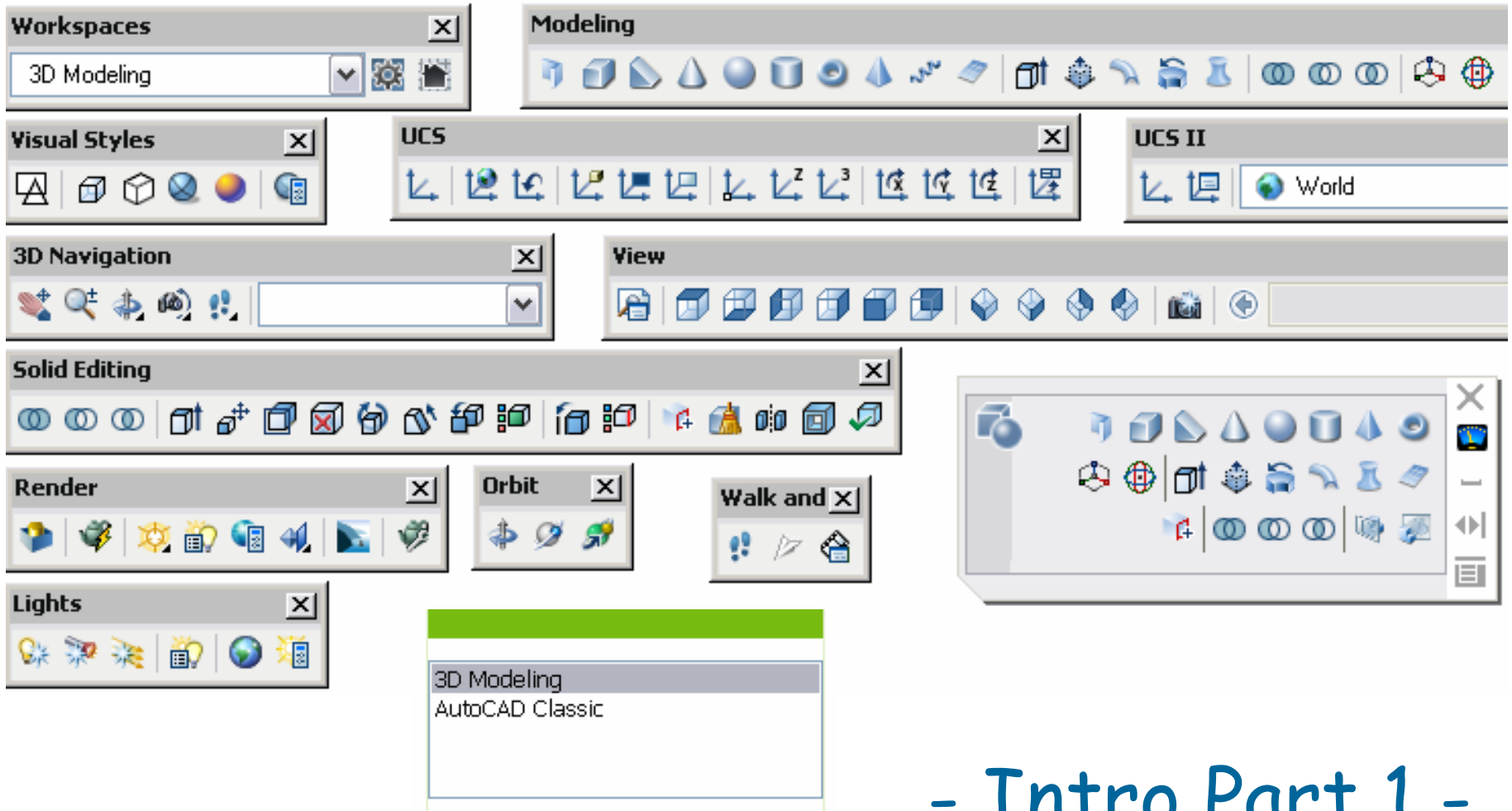
presents

AutoCAD® 2007 3D !

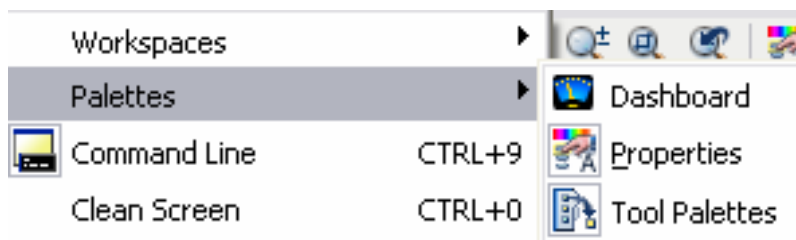
copyright www.cadclips.com 2.21.07

AutoCAD is awesome and is also an autodesk registered trademark

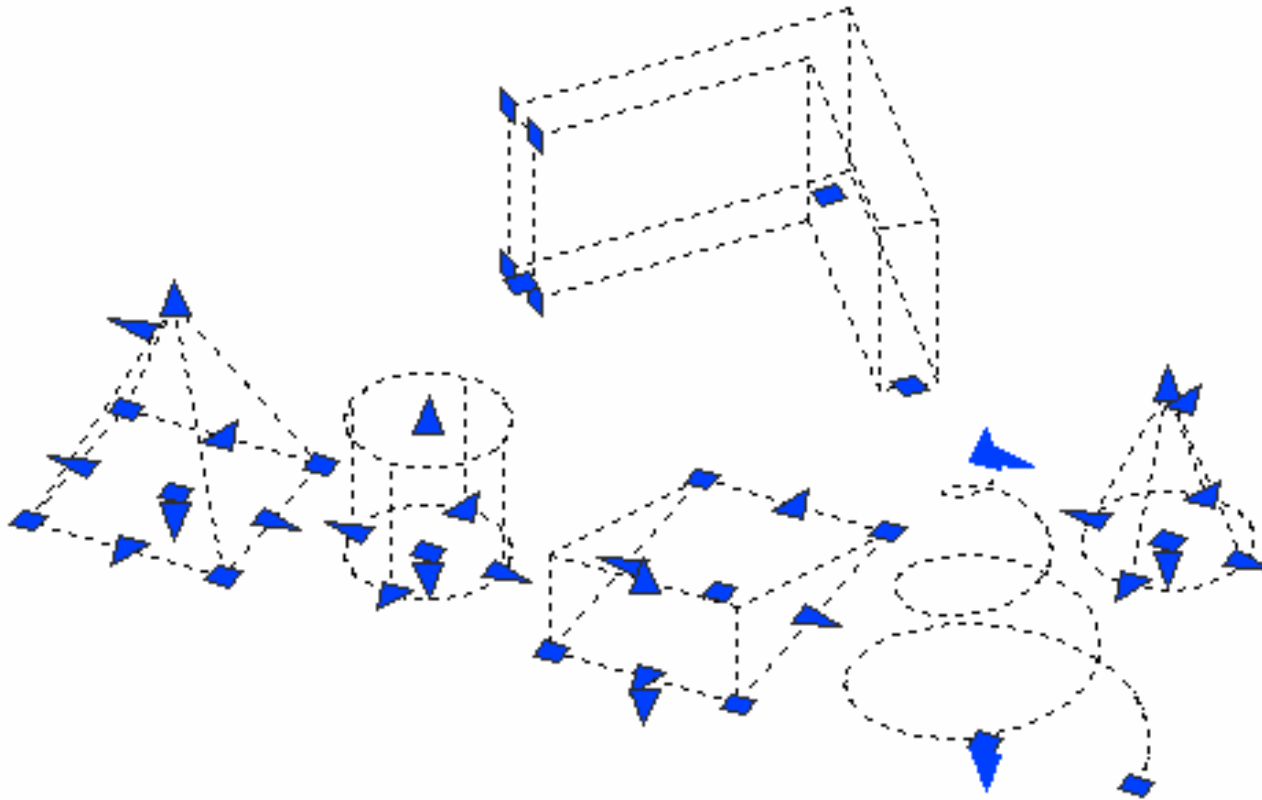
AutoCAD® 2007 3D !




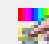






- Intro Part 1 -



AutoCAD® 2007 3D !

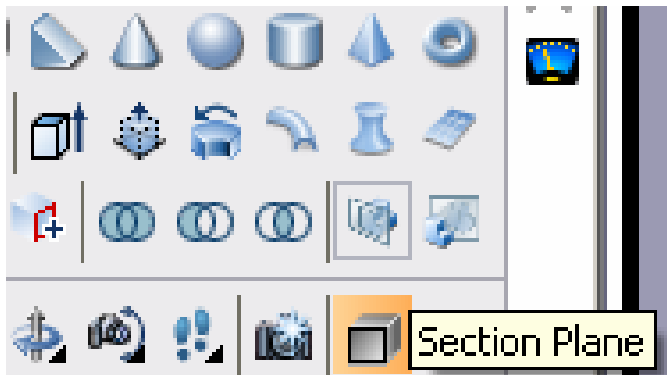
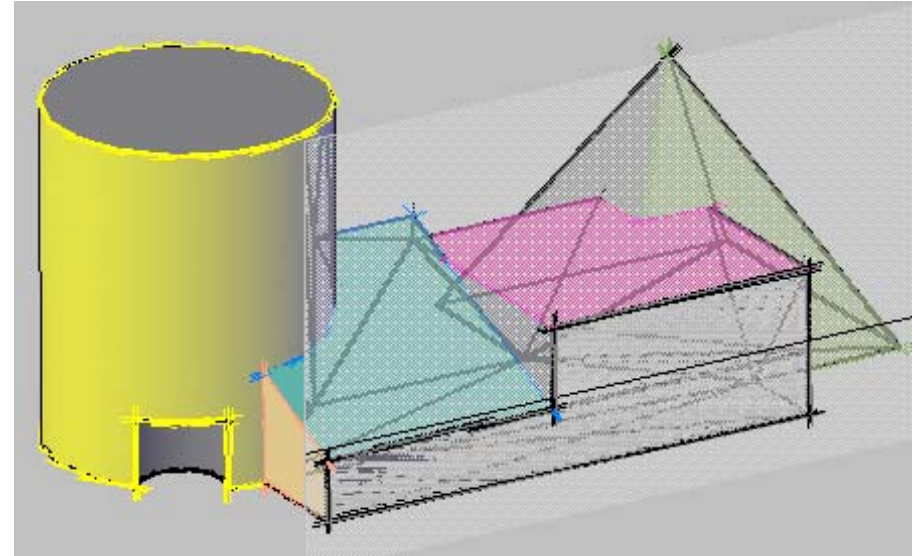
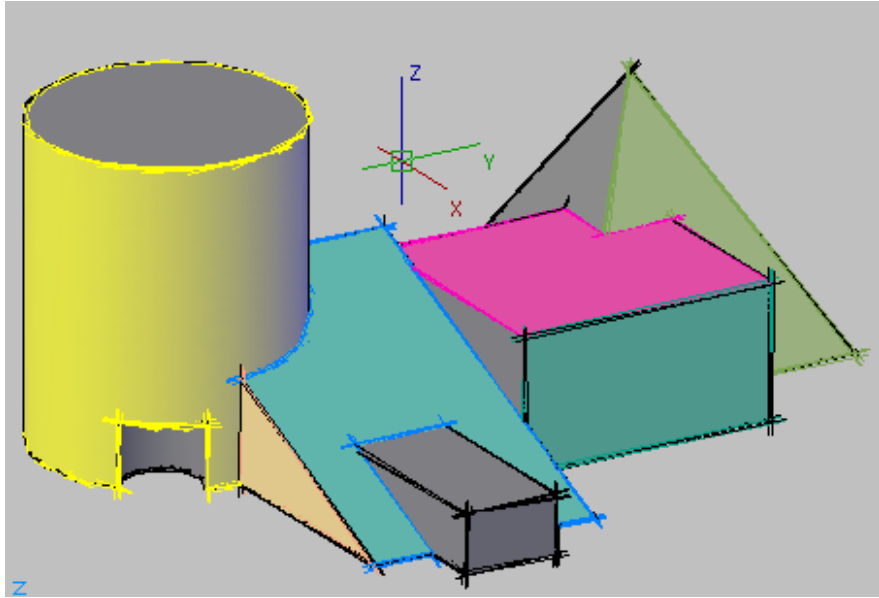


Workspaces	▶	   
Palettes	▶	 Dashboard
 Command Line	CTRL+9	 Properties
Clean Screen	CTRL+0	 Tool Palettes

- Intro Part 2 -



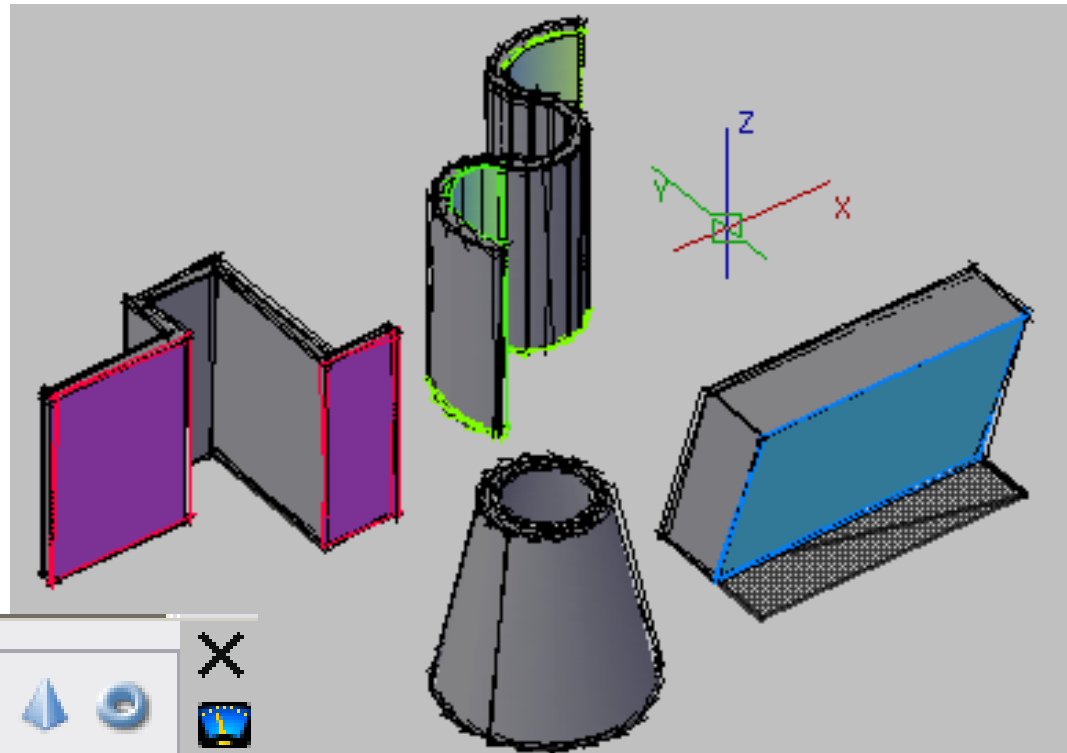
AutoCAD® 2007 3D !



- Section Plane -



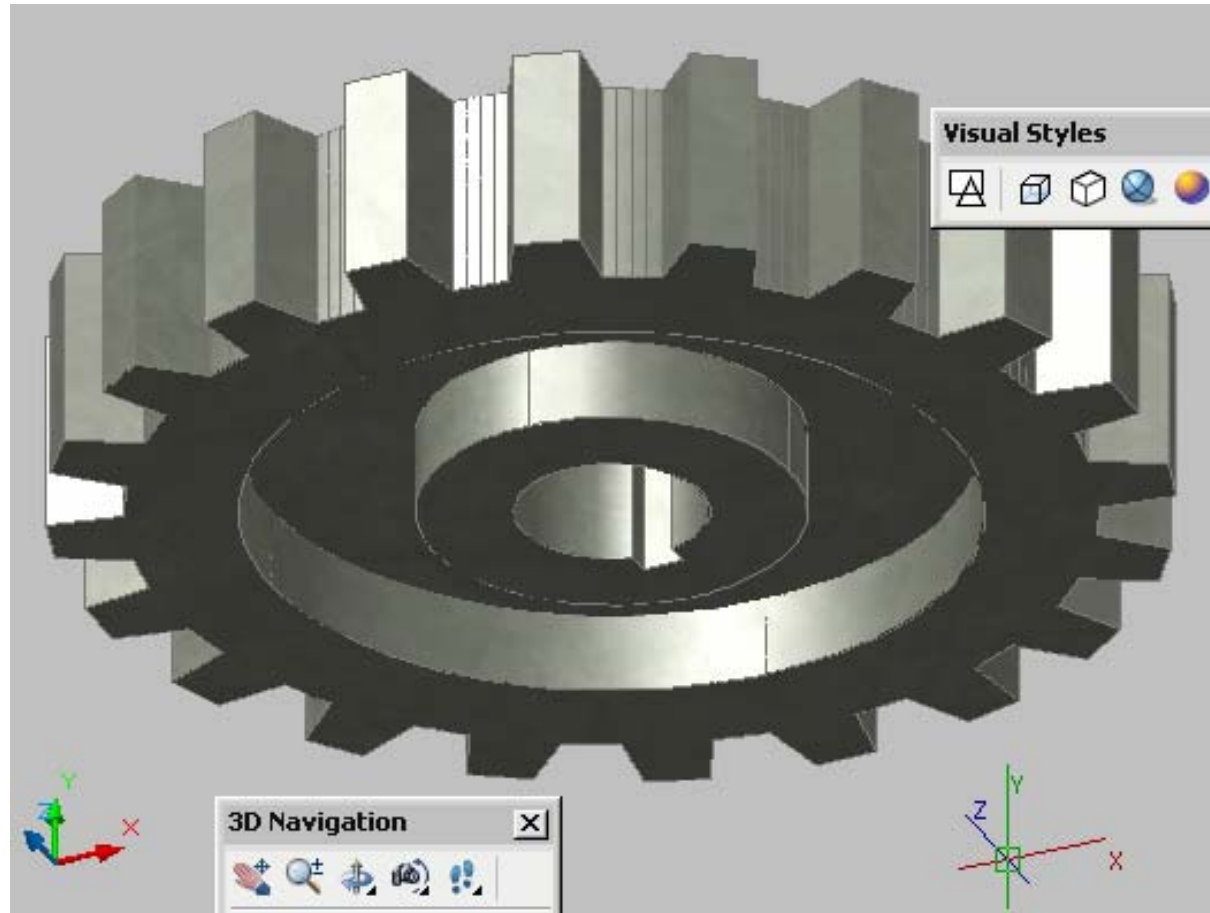
AutoCAD® 2007 3D !



- Polysolid -

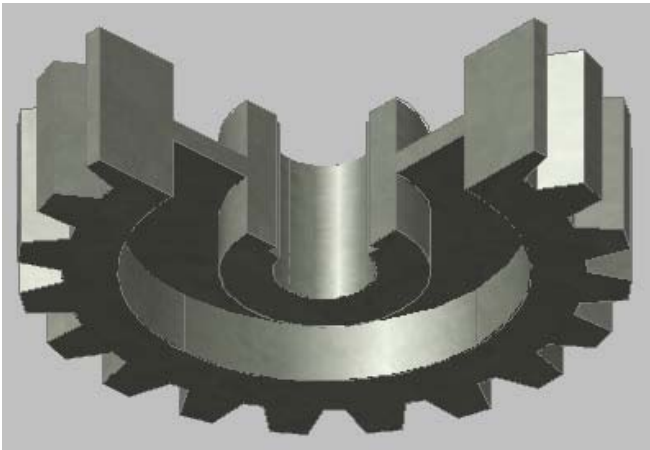
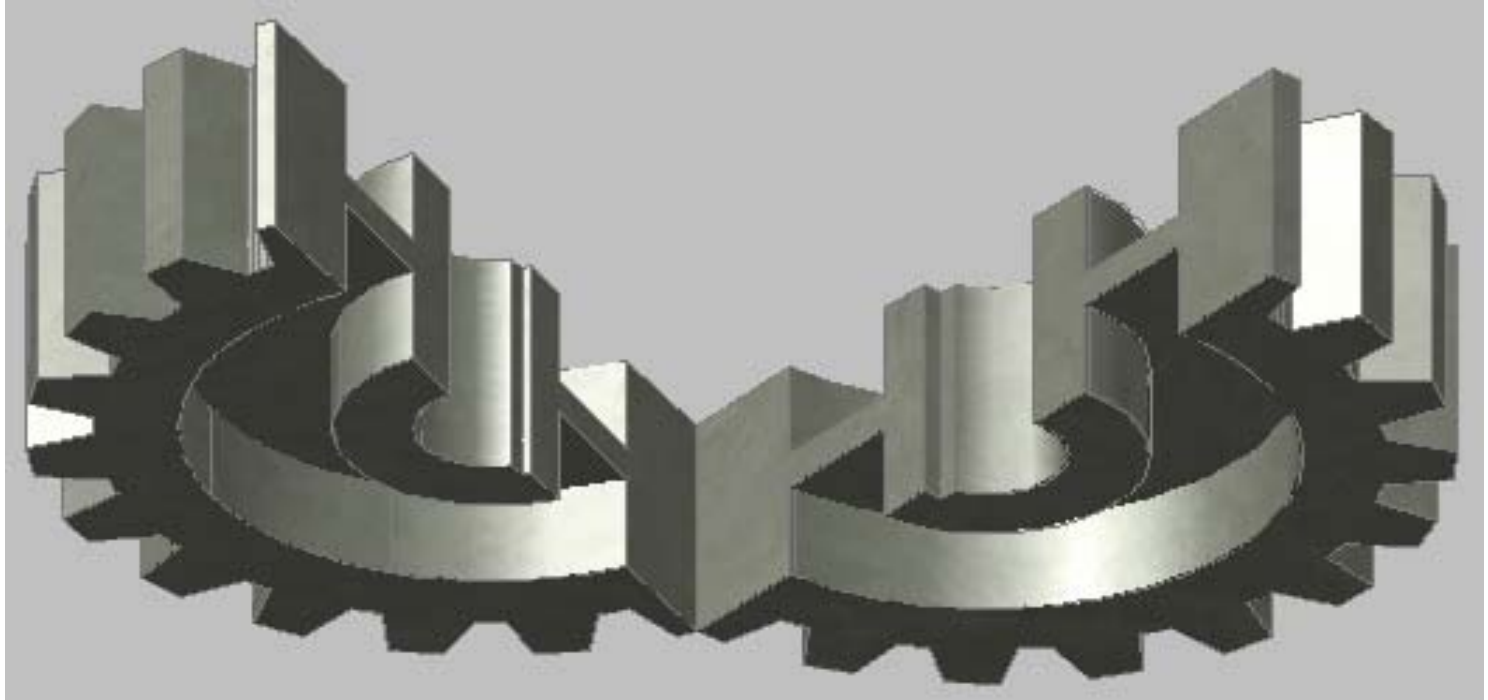


AutoCAD® 2007 3D !



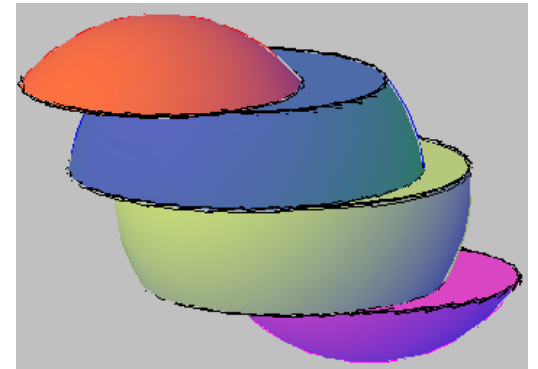
- Gear Model -

AutoCAD® 2007 3D !

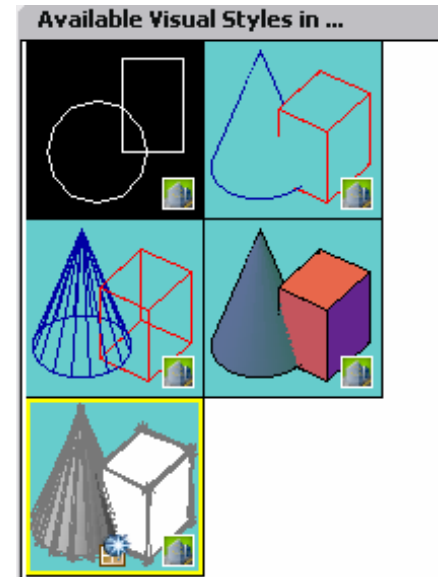
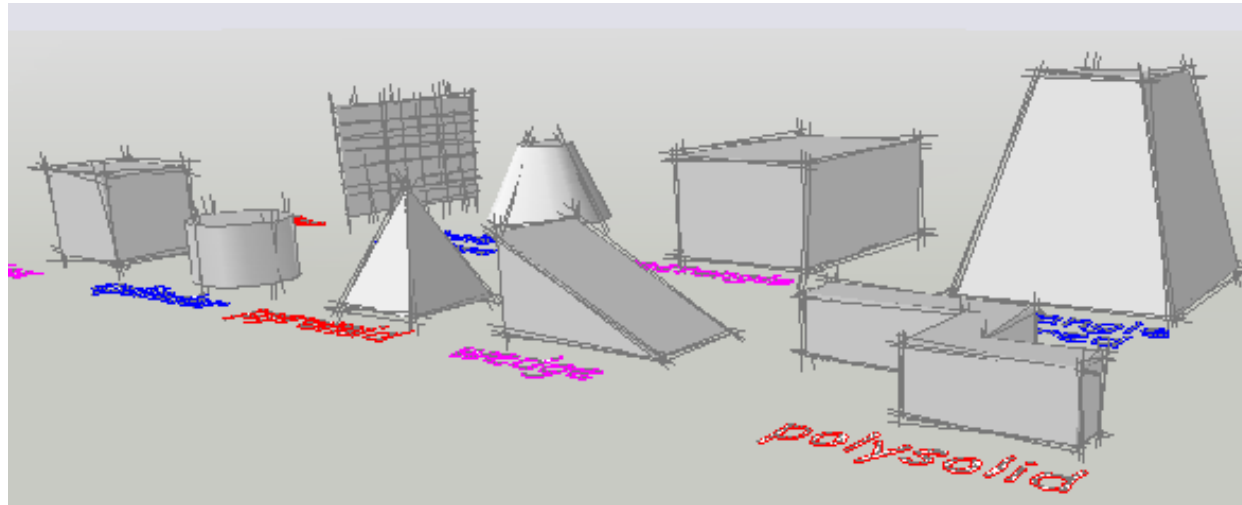


- Slice -

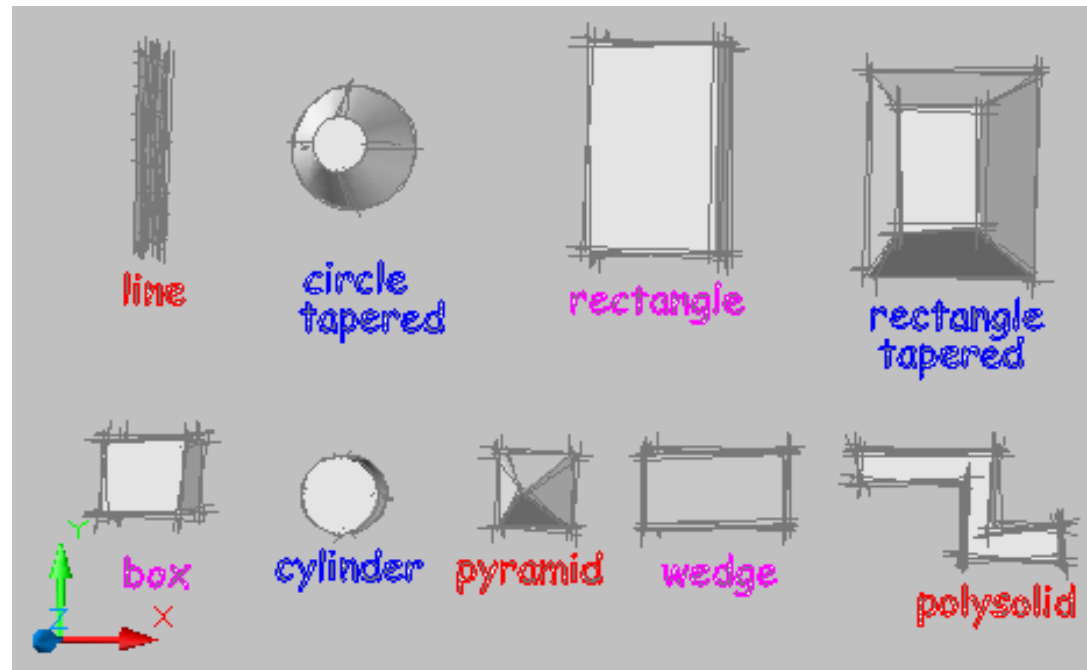
CADclips
.com



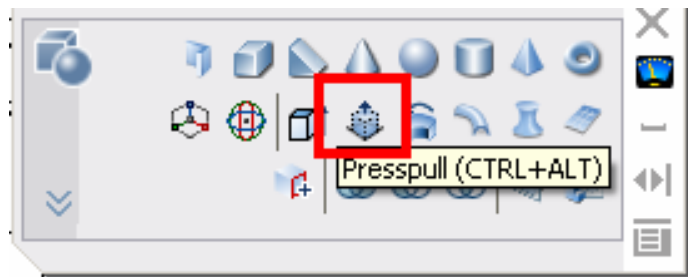
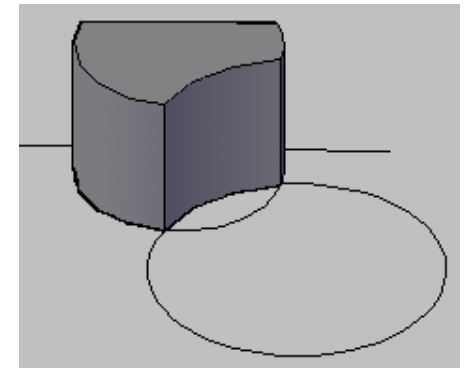
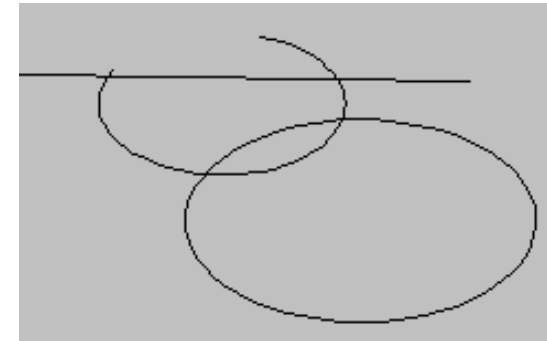
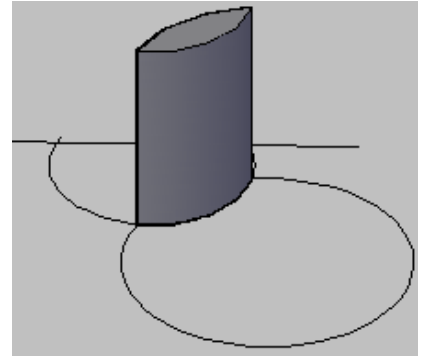
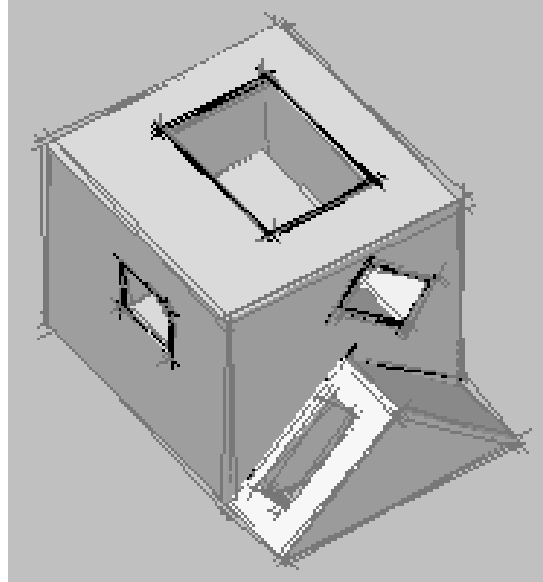
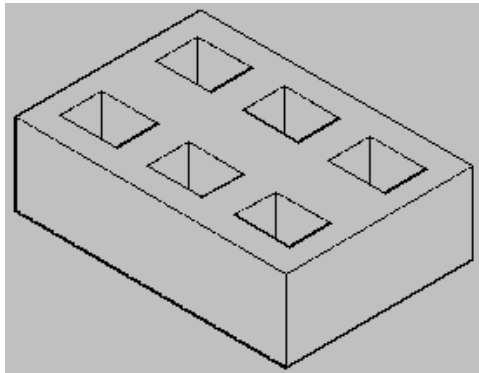
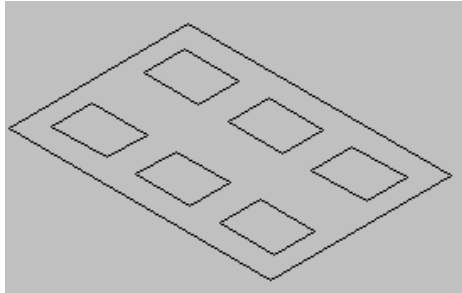
AutoCAD® 2007 3D !



- General Information 1 -

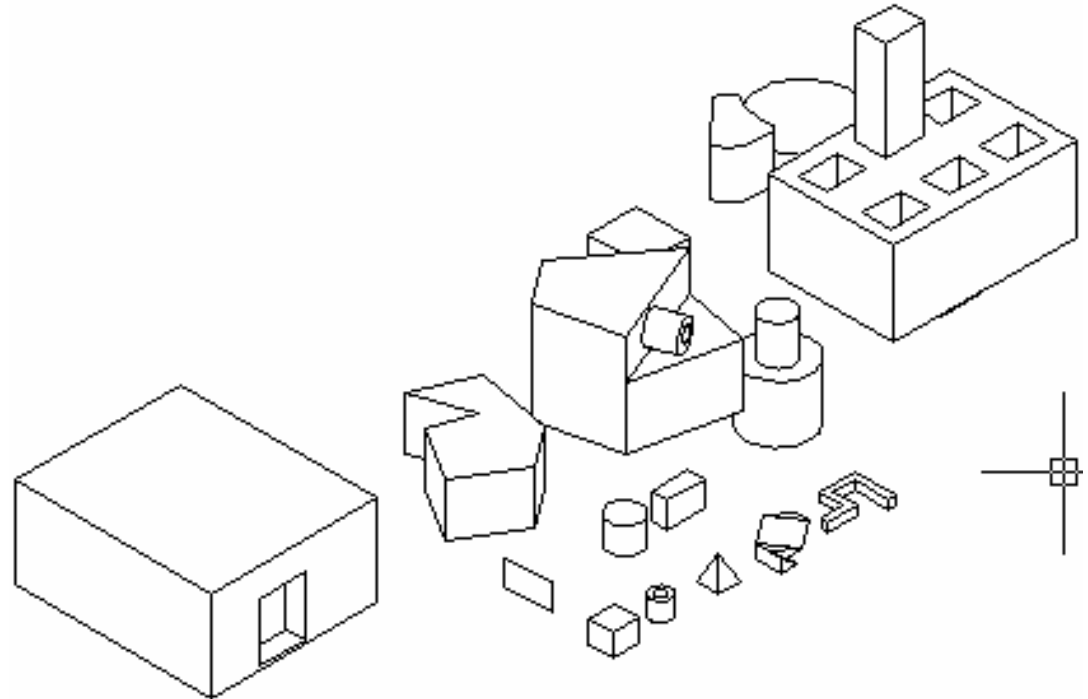
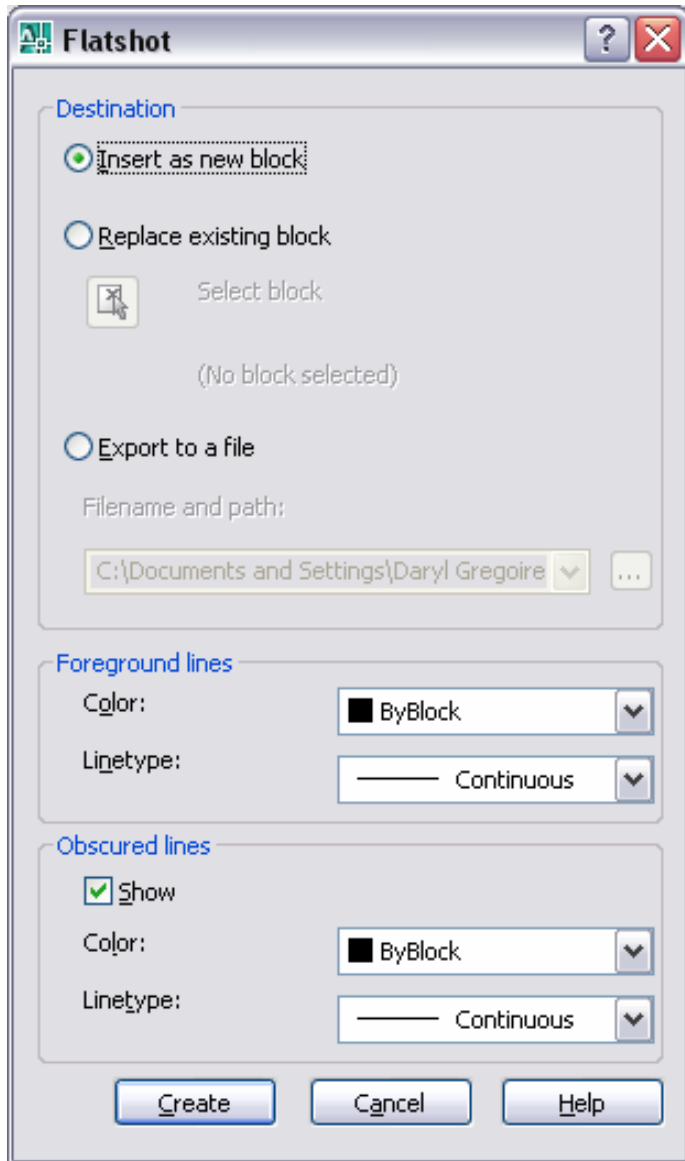


AutoCAD® 2007 3D !



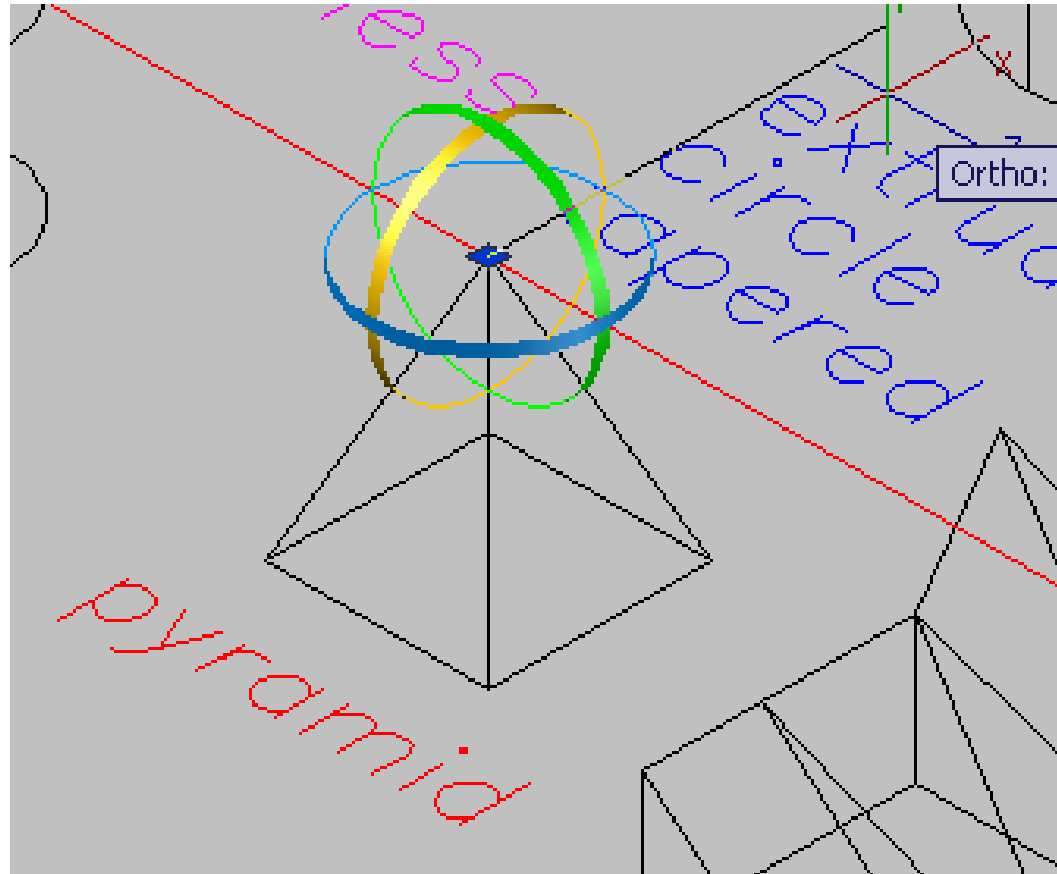
- PressPull Tool -

AutoCAD® 2007 3D !



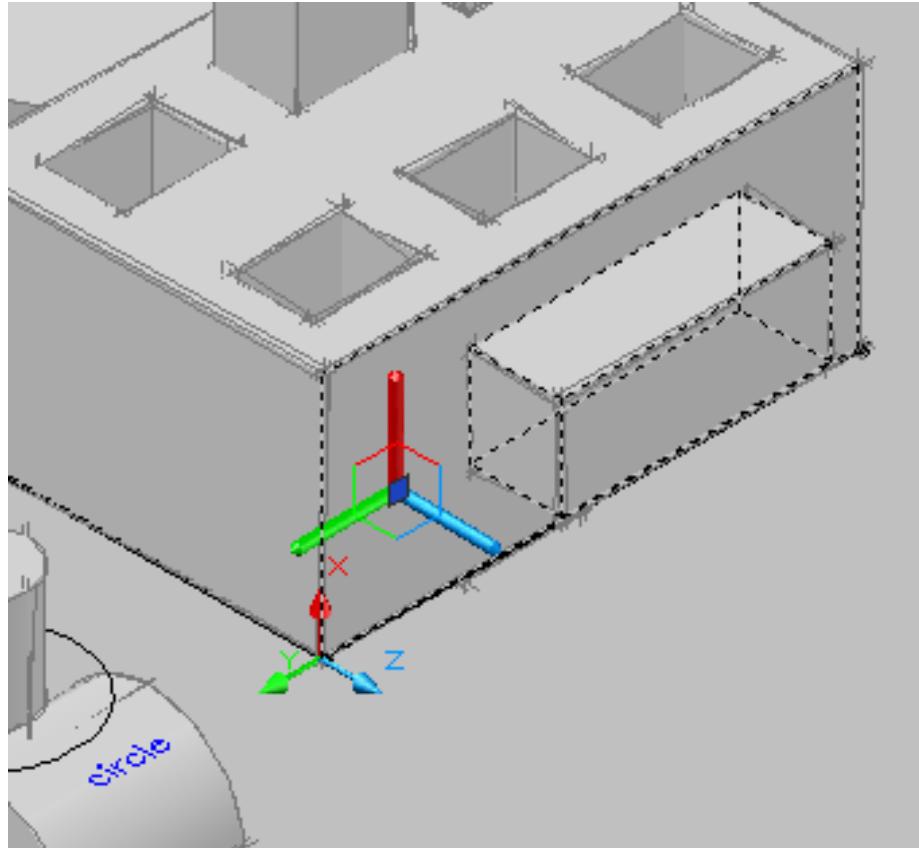
- Flatshot -

AutoCAD® 2007 3D !



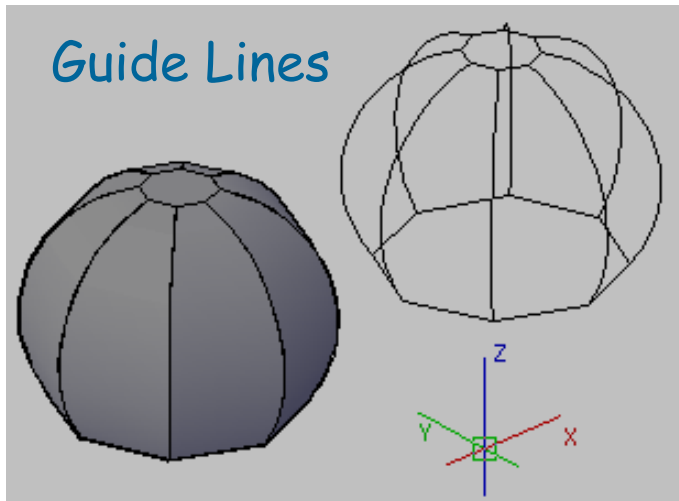
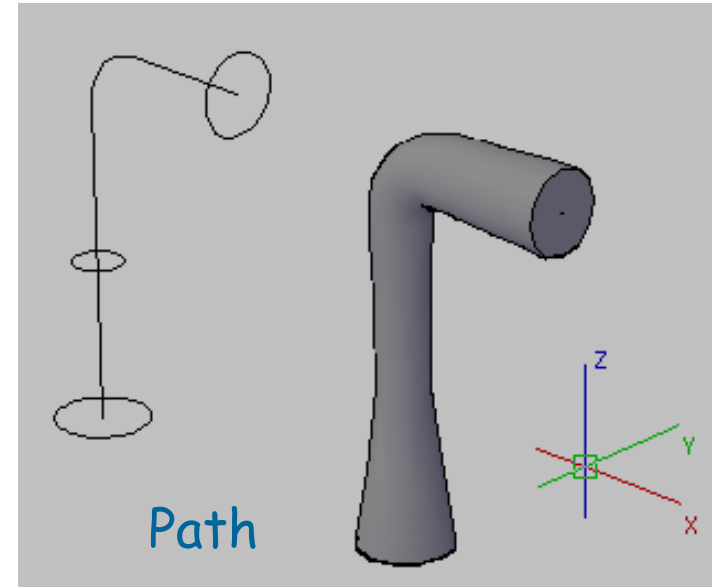
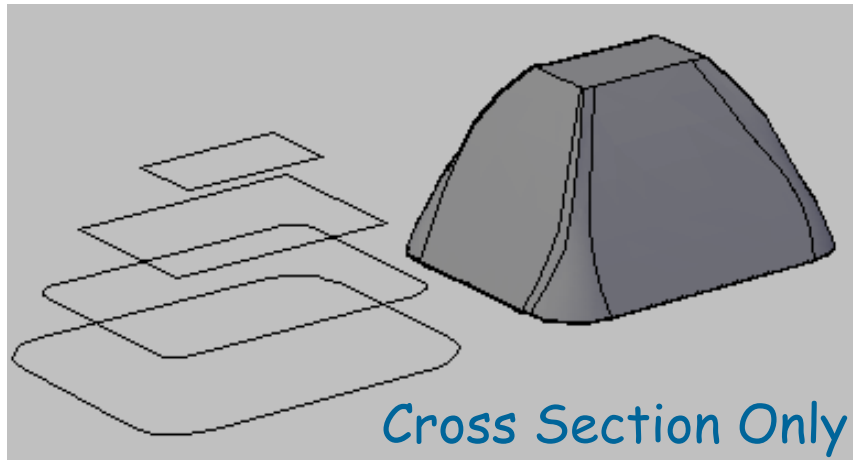
- 3D Rotate -

AutoCAD® 2007 3D !



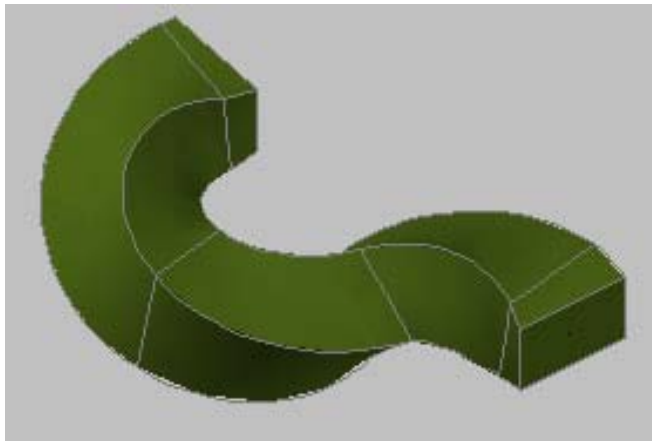
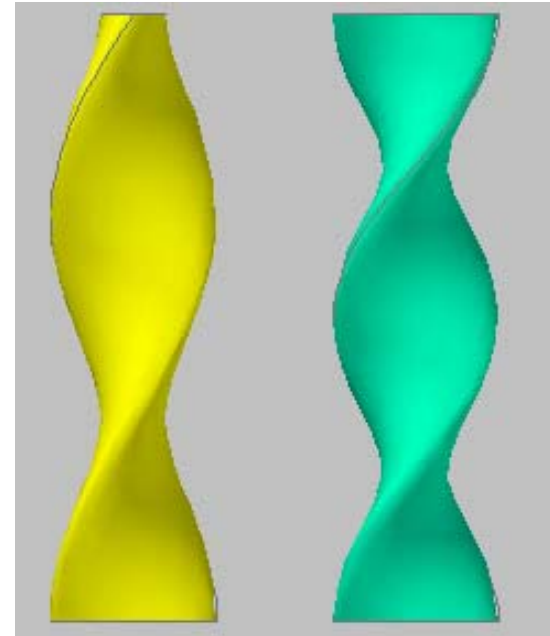
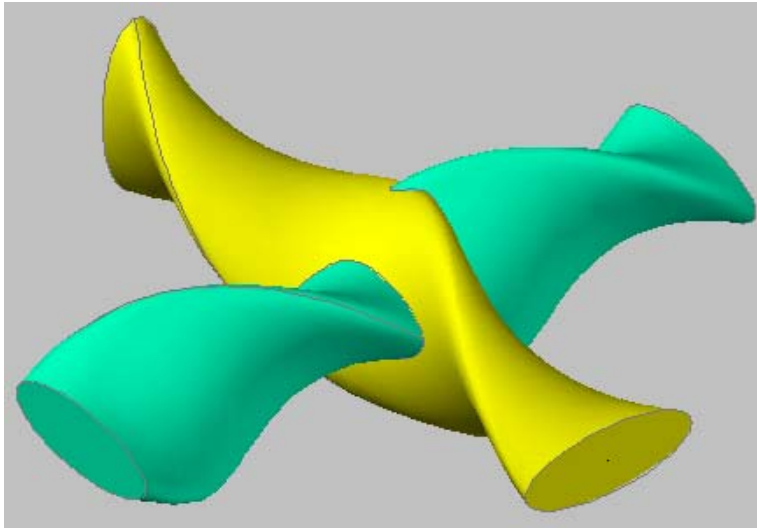
- 3D Move -

AutoCAD® 2007 3D !

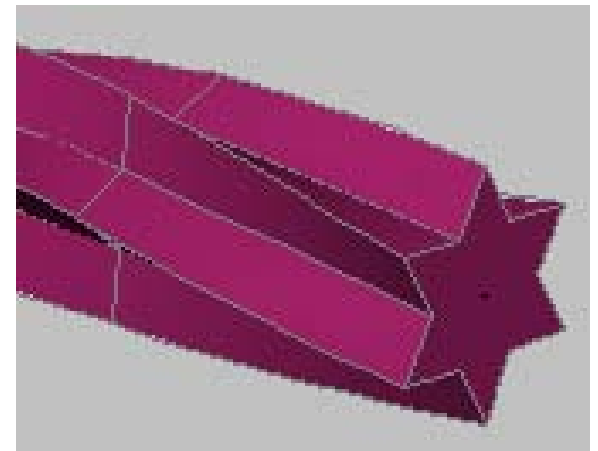


- Loft -

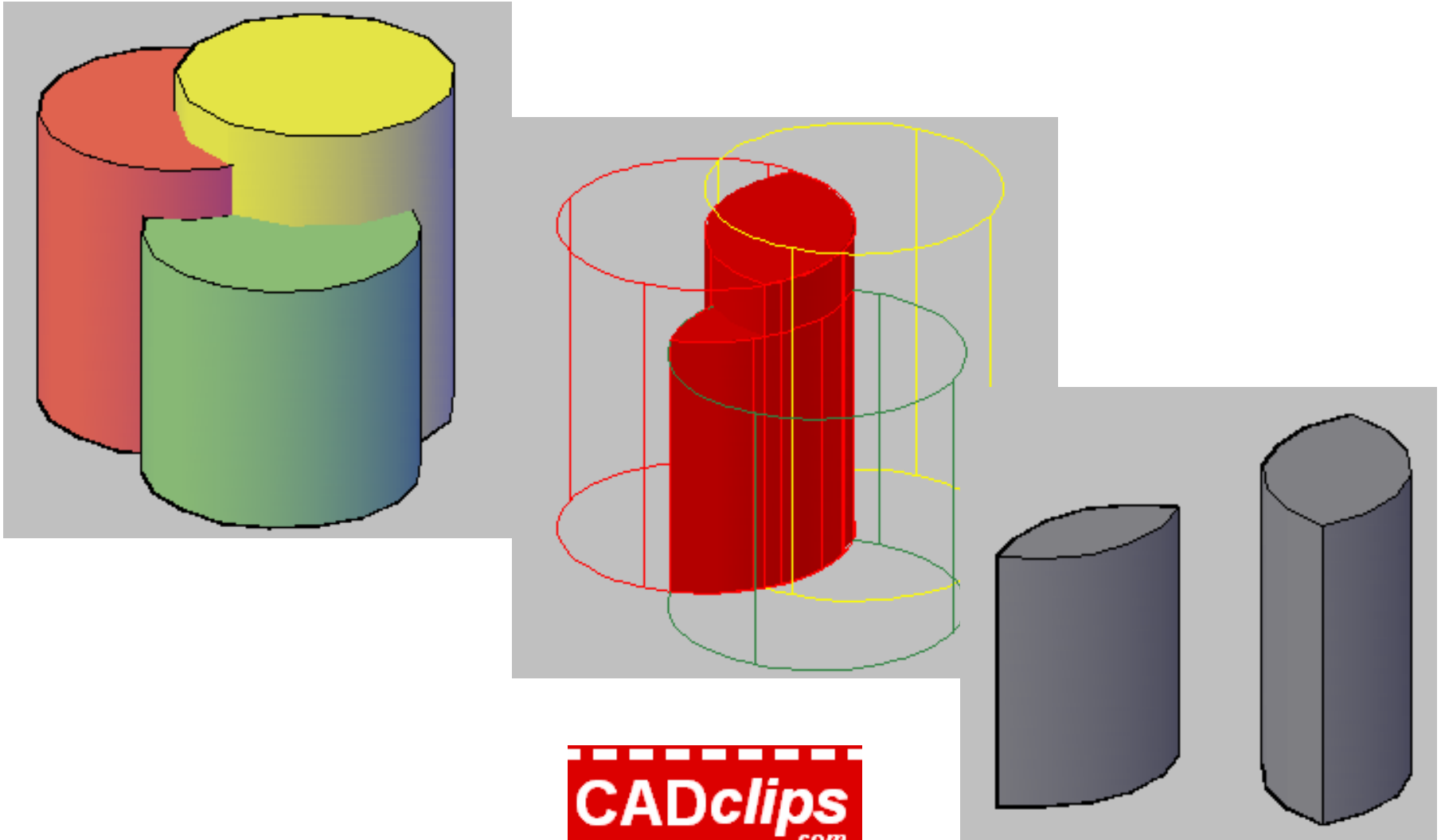
AutoCAD® 2007 3D !



- Sweep -

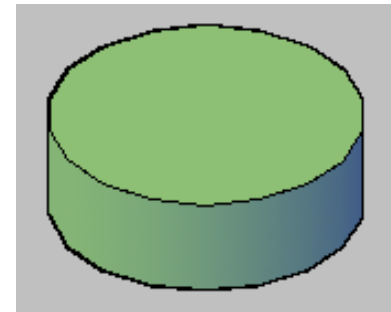
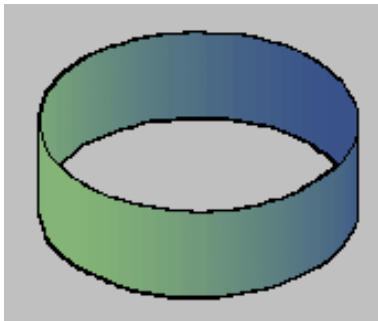
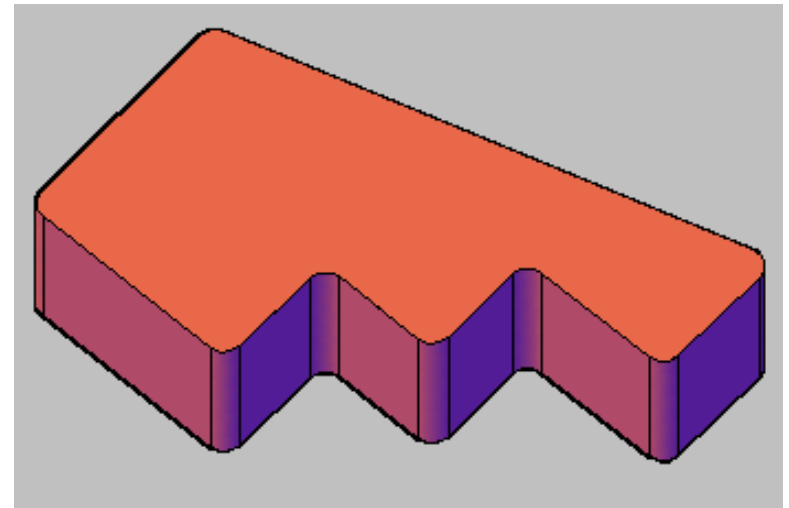
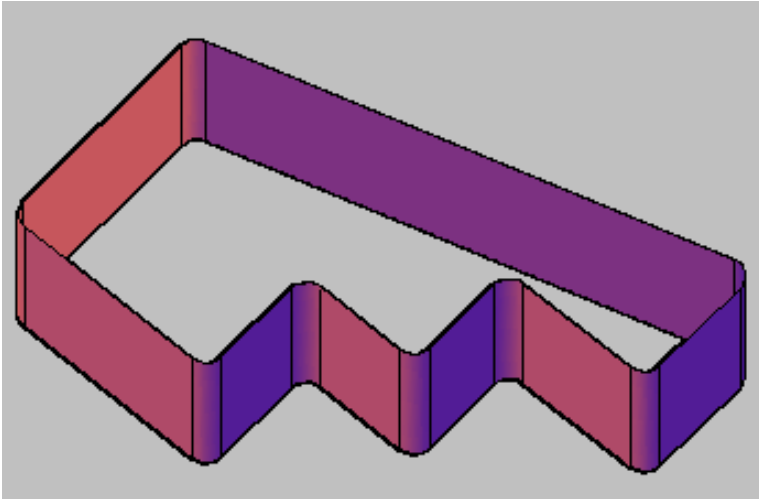


AutoCAD® 2007 3D !



- Interference Checking -

AutoCAD® 2007 3D !



- Convert to Solid-

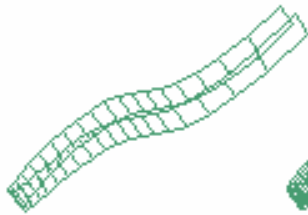
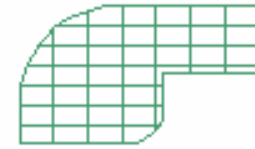
AutoCAD® 2007 3D !



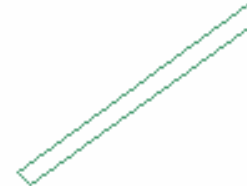
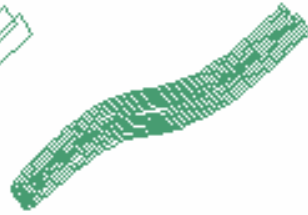
2D solids



Regions



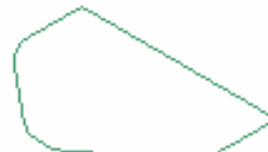
Open, zero-width polylines with thickness



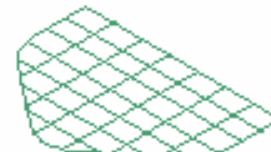
Lines with thickness



Arcs with thickness

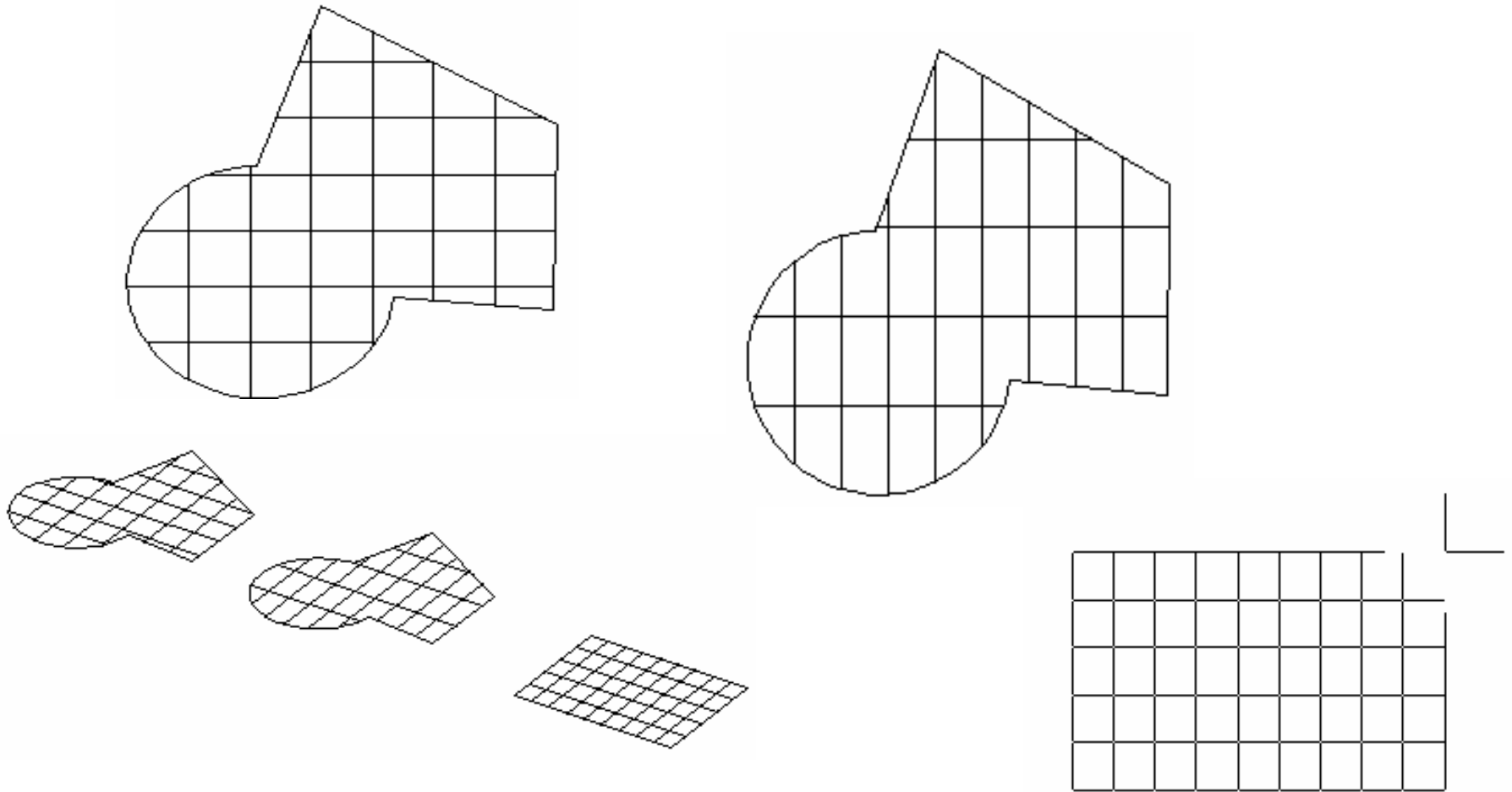


Planar 3D faces



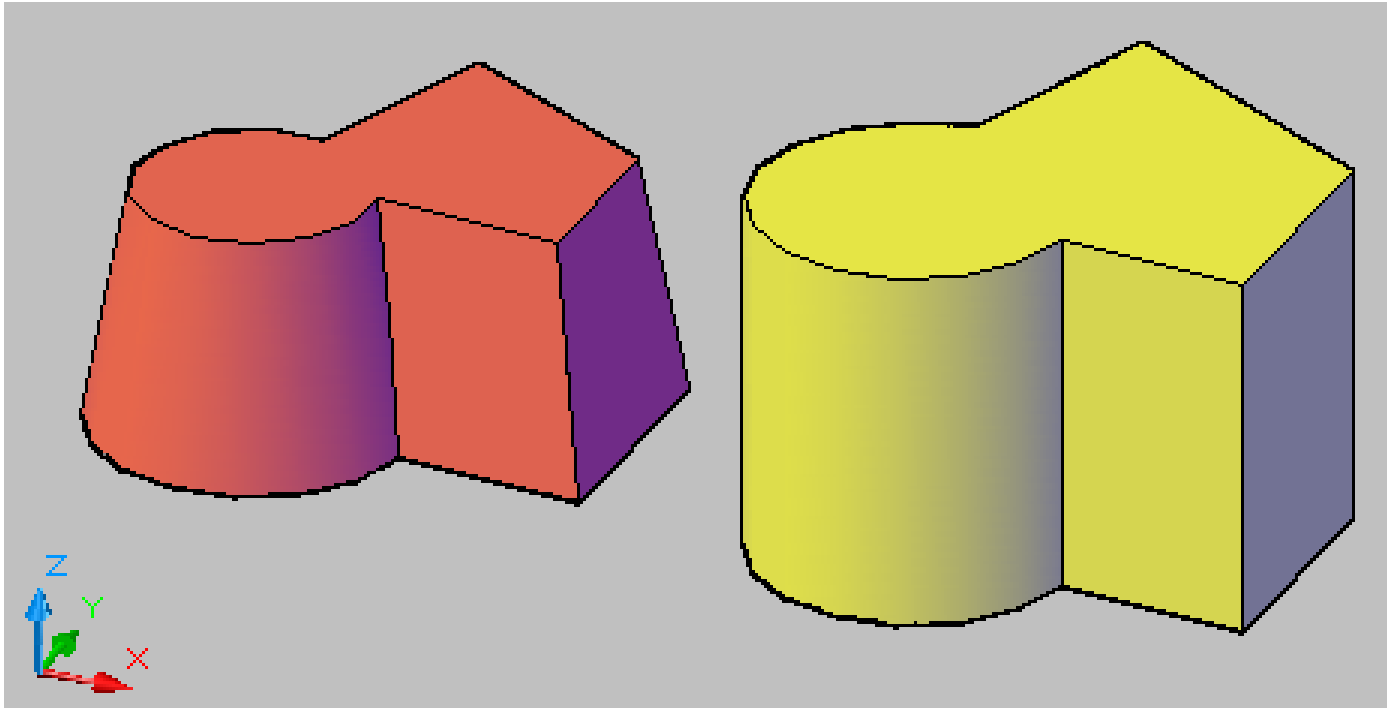
- Convert to Surface -

AutoCAD® 2007 3D !



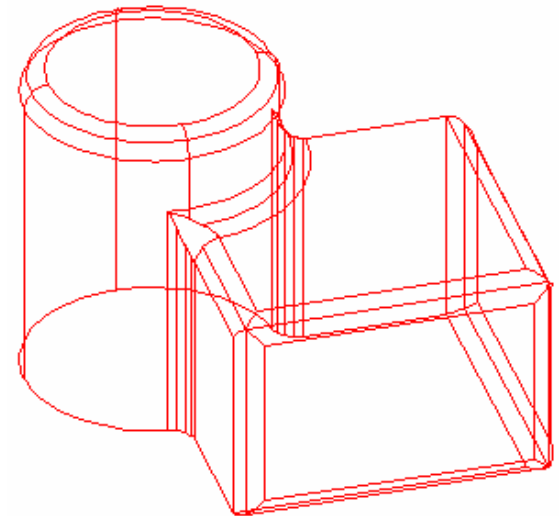
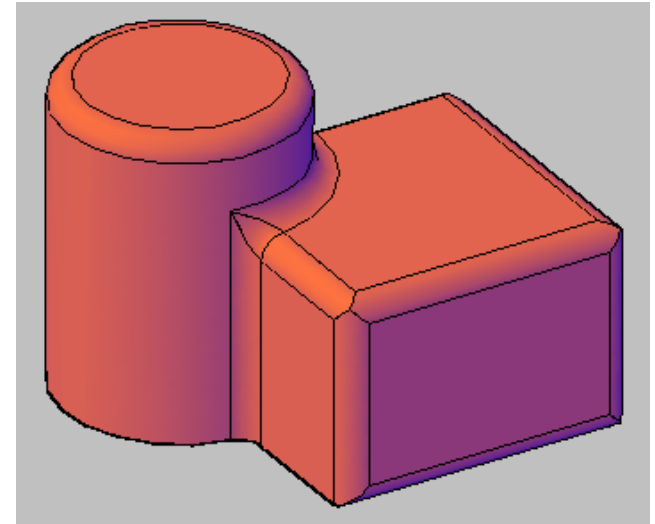
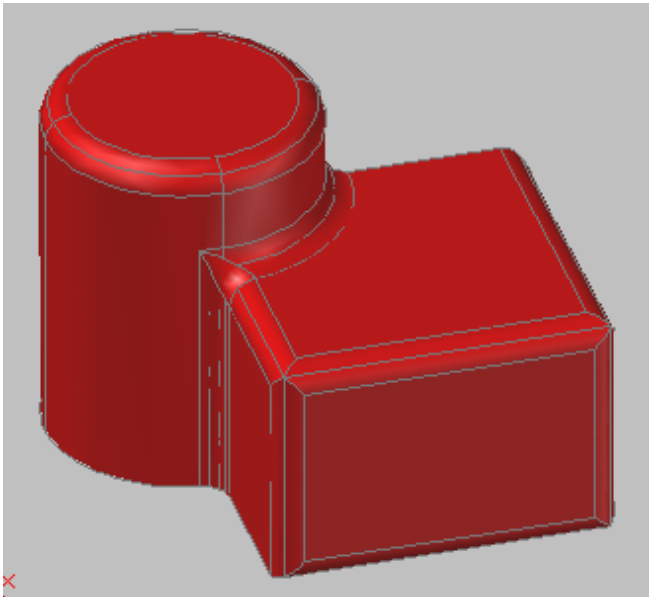
- Planar Surfaces -

AutoCAD® 2007 3D !



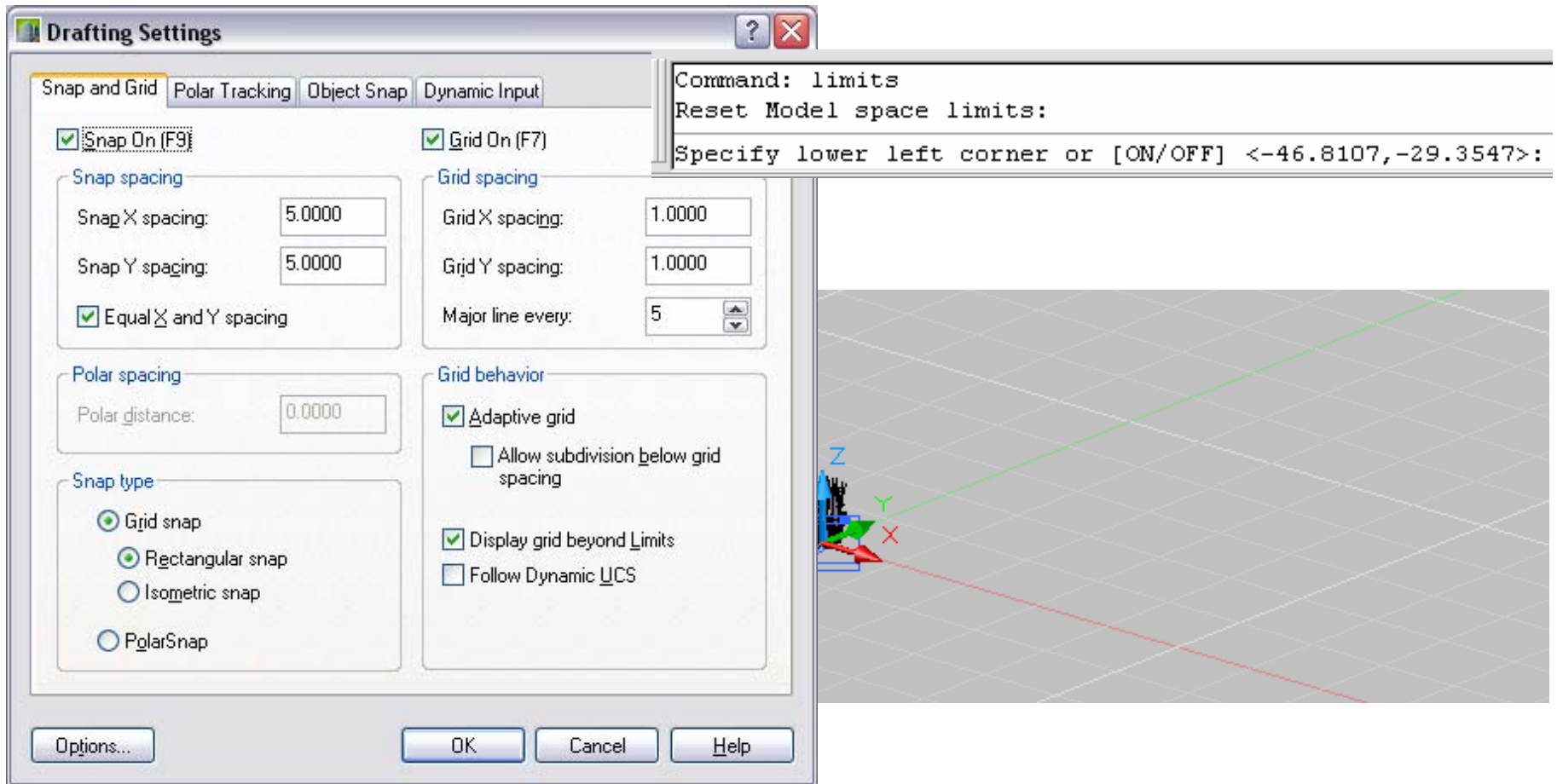
- Thicken Surface-

AutoCAD® 2007 3D !



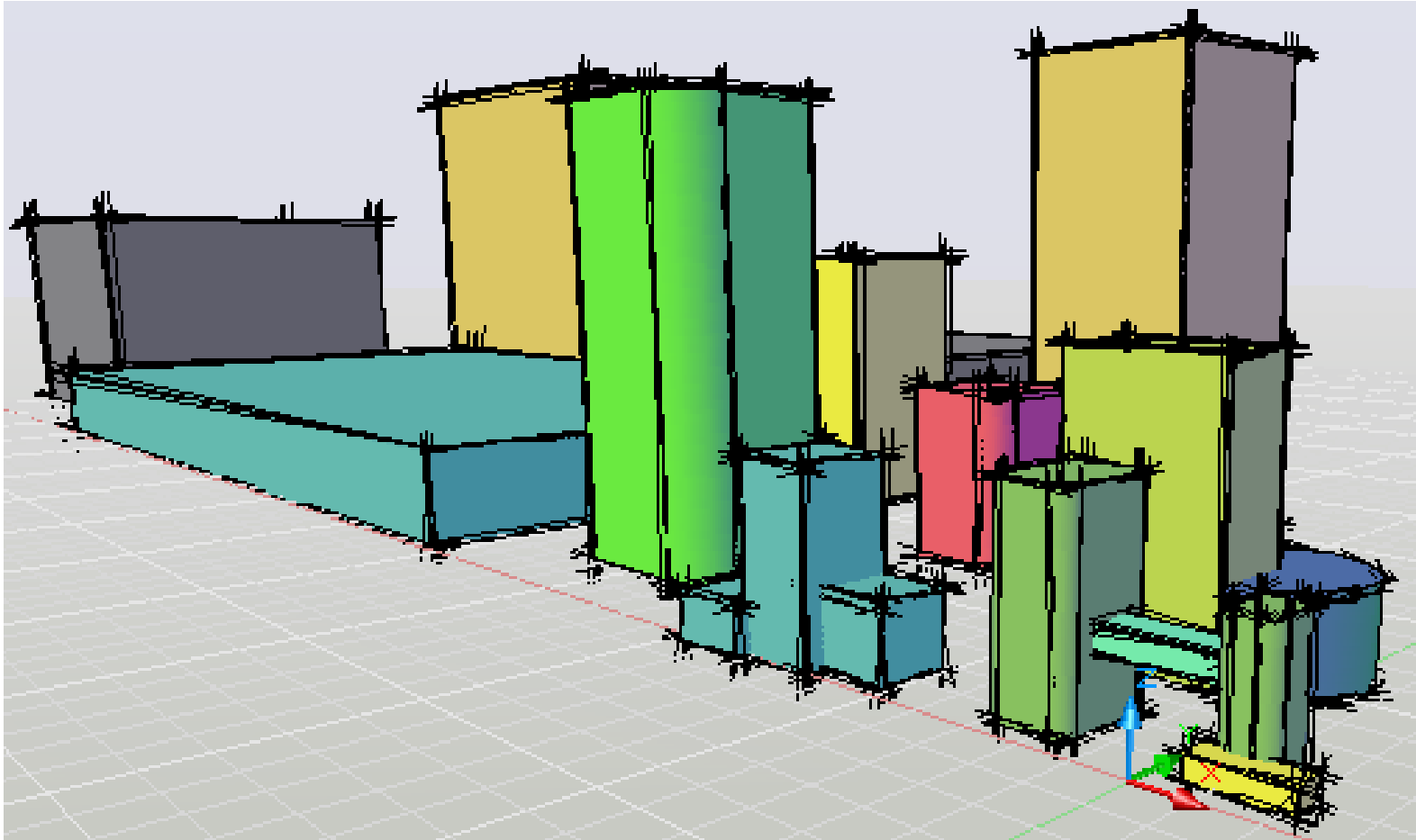
- Fun With Fillet -

AutoCAD® 2007 3D !



- Limits and Grid -

AutoCAD® 2007 3D !



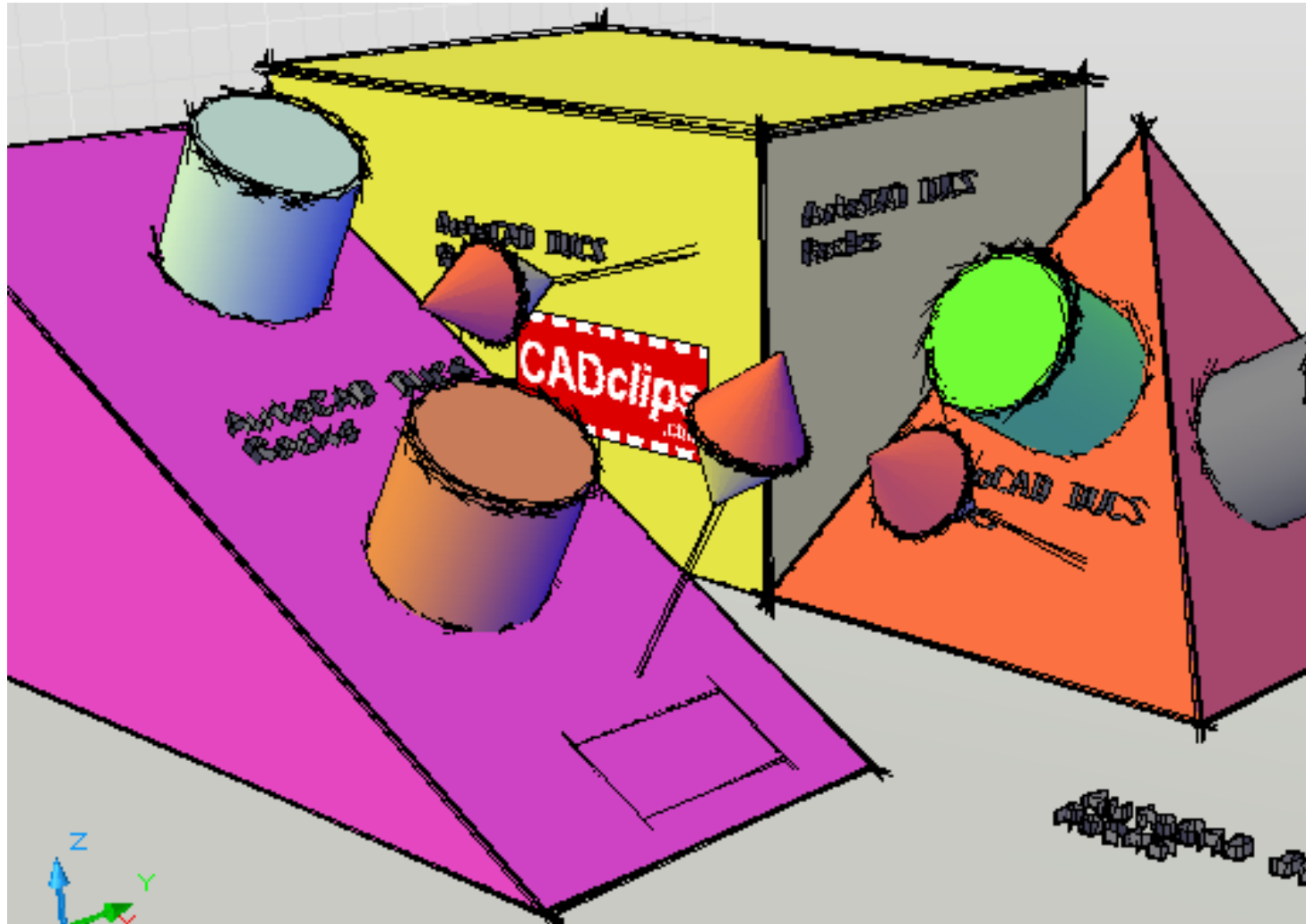
- Fun with Perspective -

AutoCAD® 2007 3D !



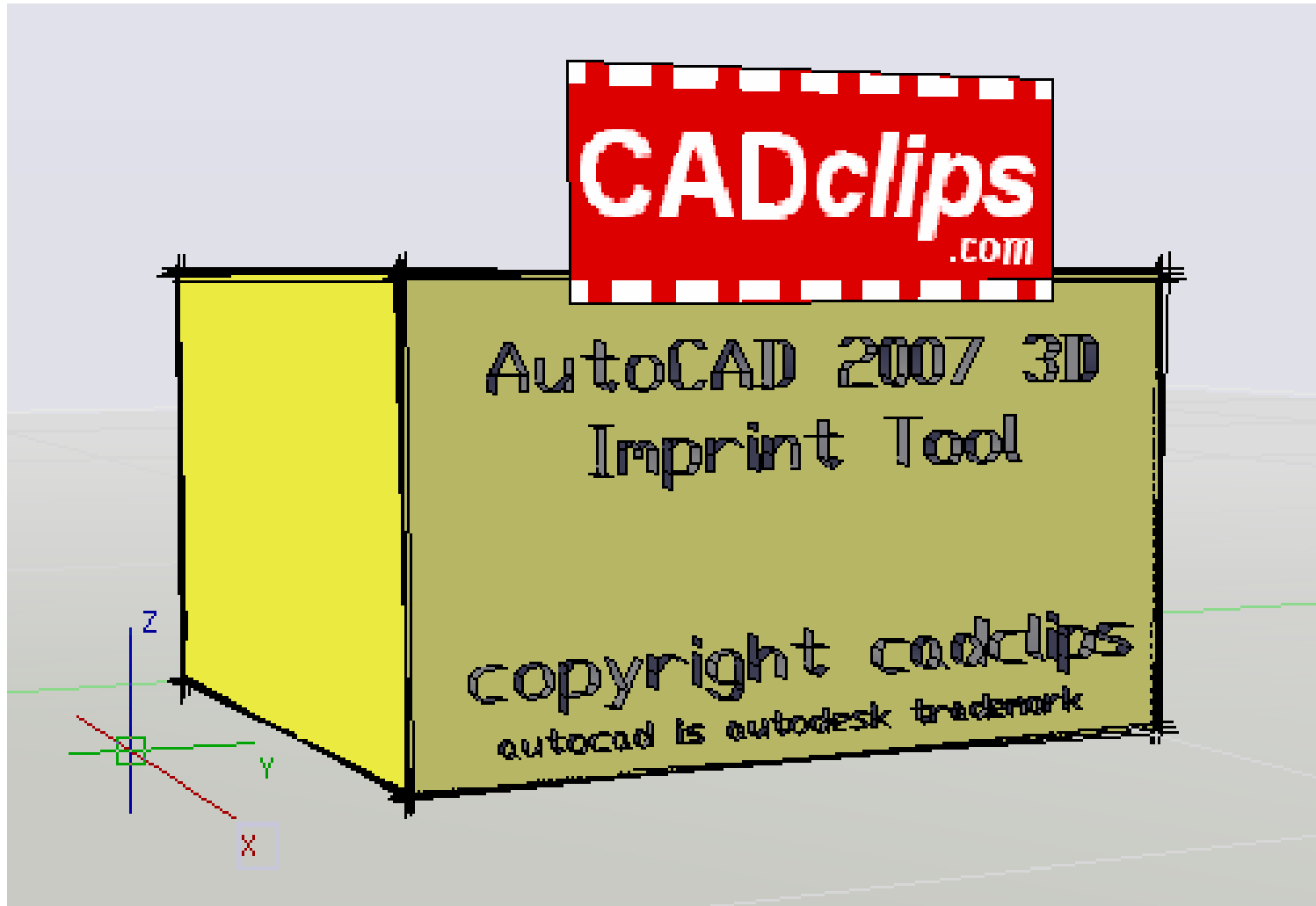
- DUCS Rocks ! -

AutoCAD® 2007 3D !

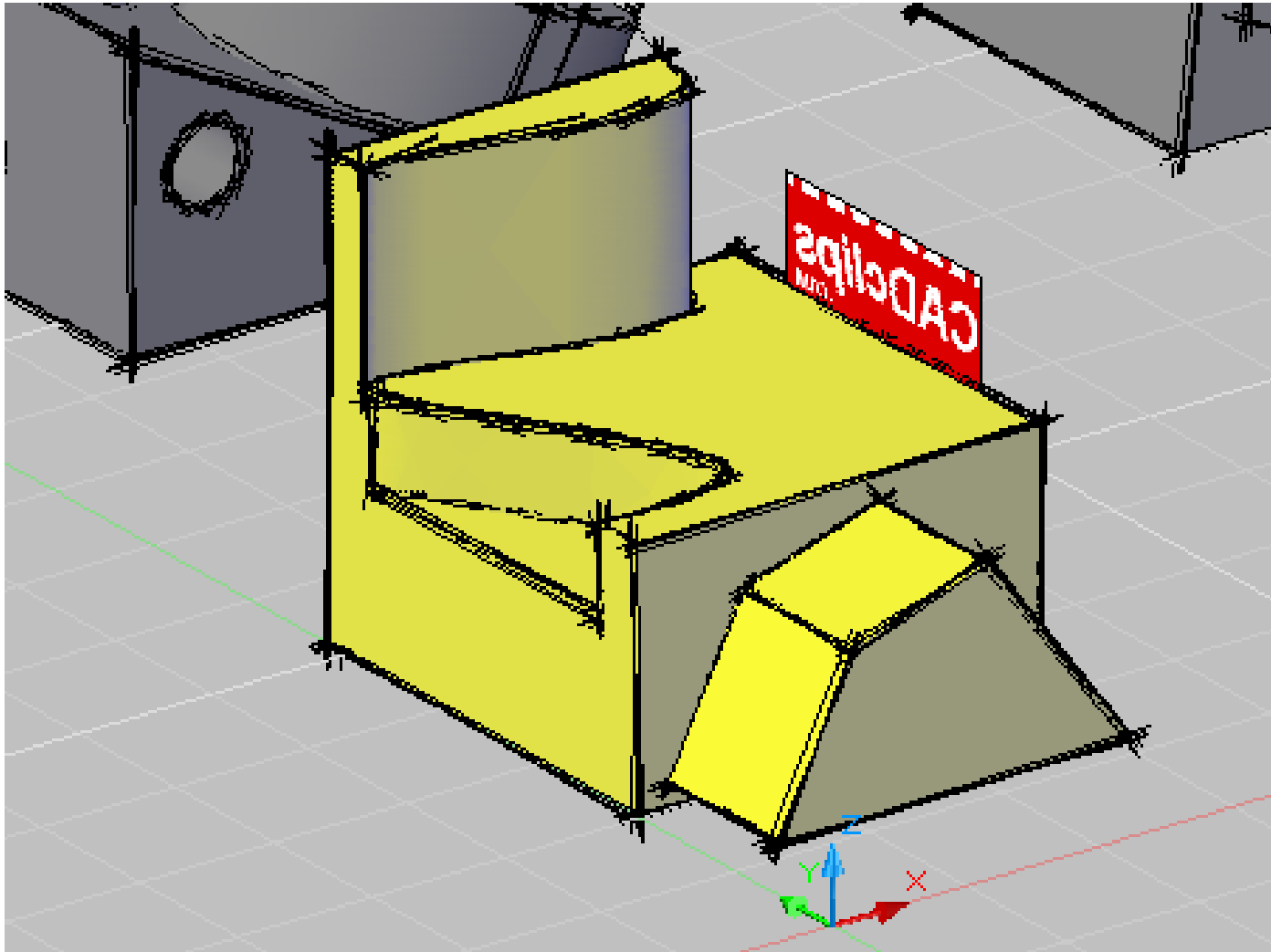


- DUCS Really Rocks ! -

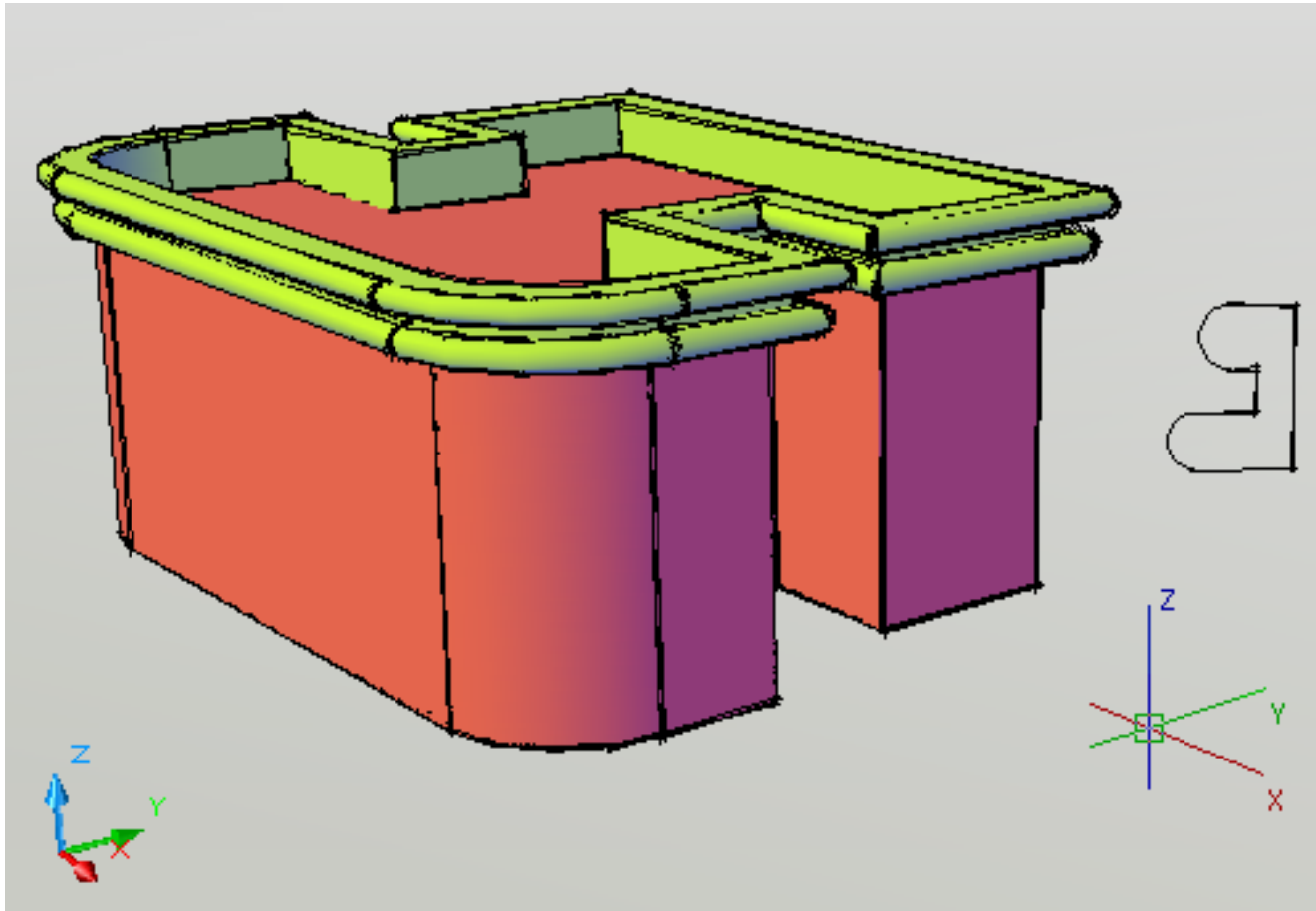
AutoCAD® 2007 3D !



AutoCAD® 2007 3D !

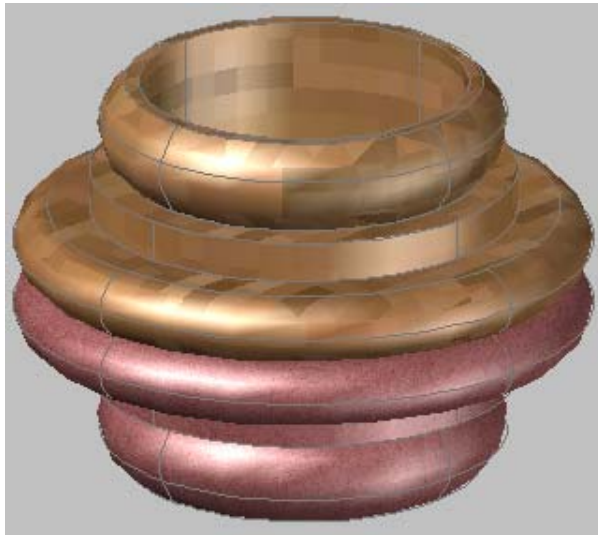
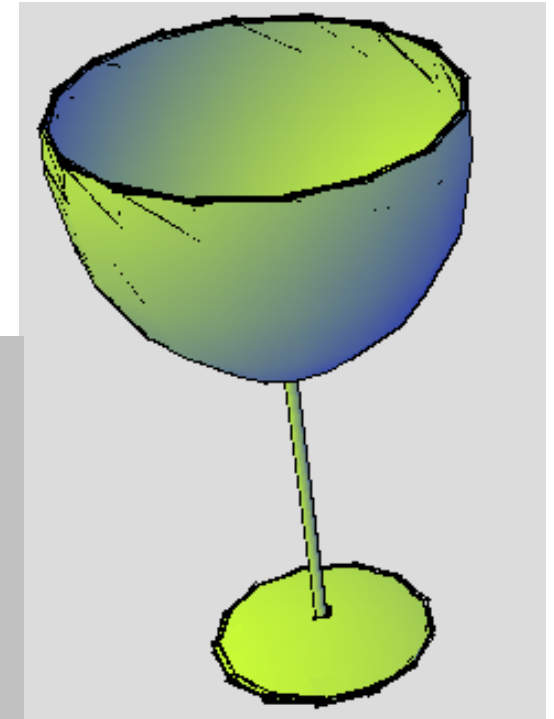
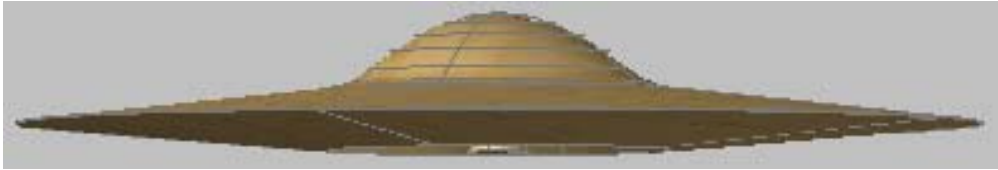


AutoCAD® 2007 3D !



- Sweep a Profile along an Edge -

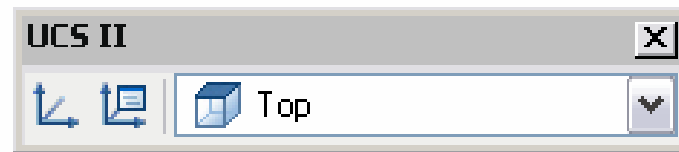
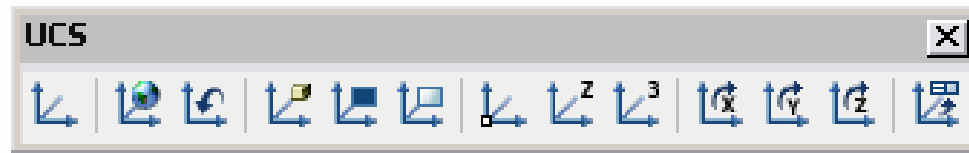
AutoCAD® 2007 3D !



- Revolve -

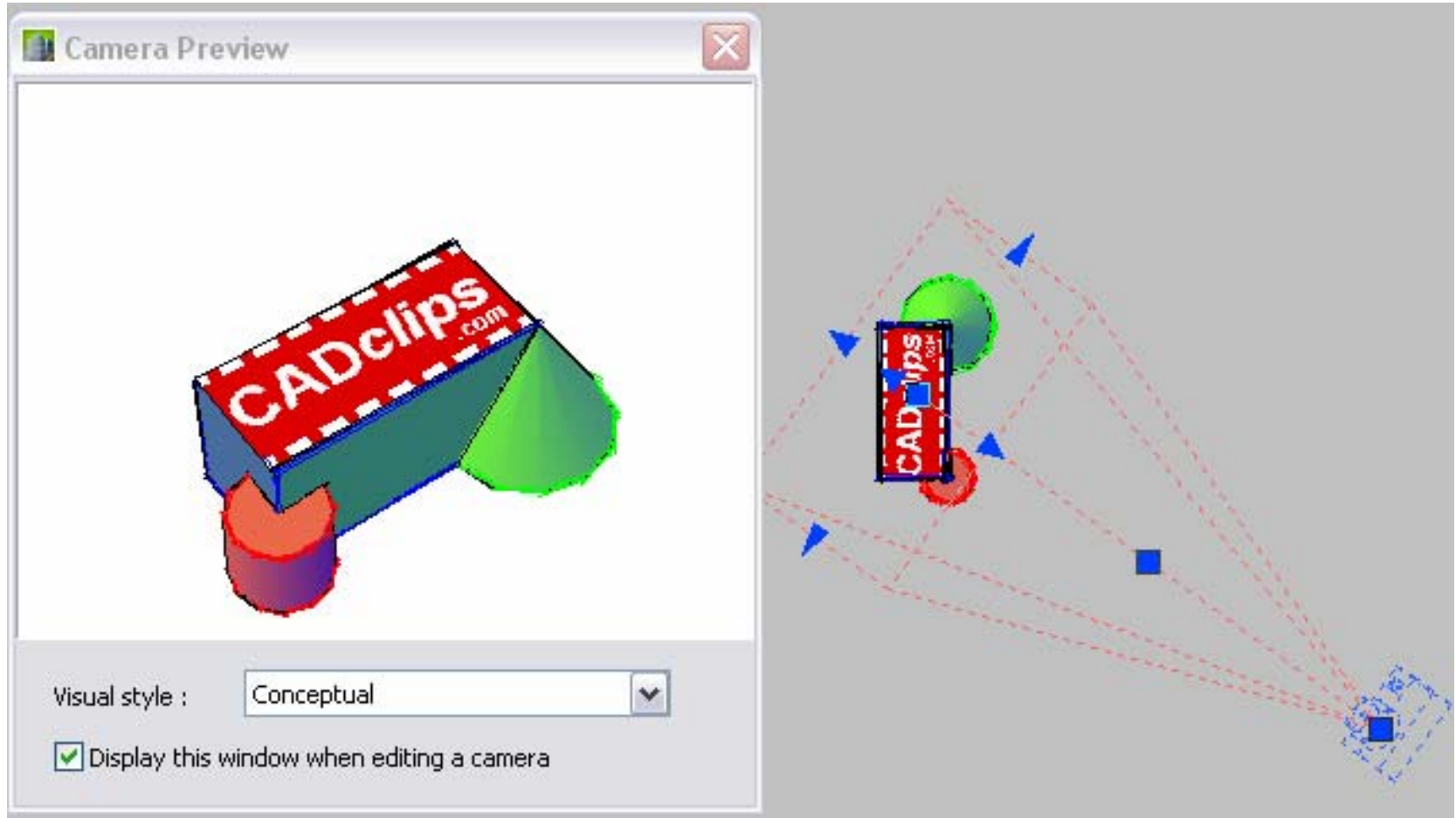


AutoCAD® 2007 3D !



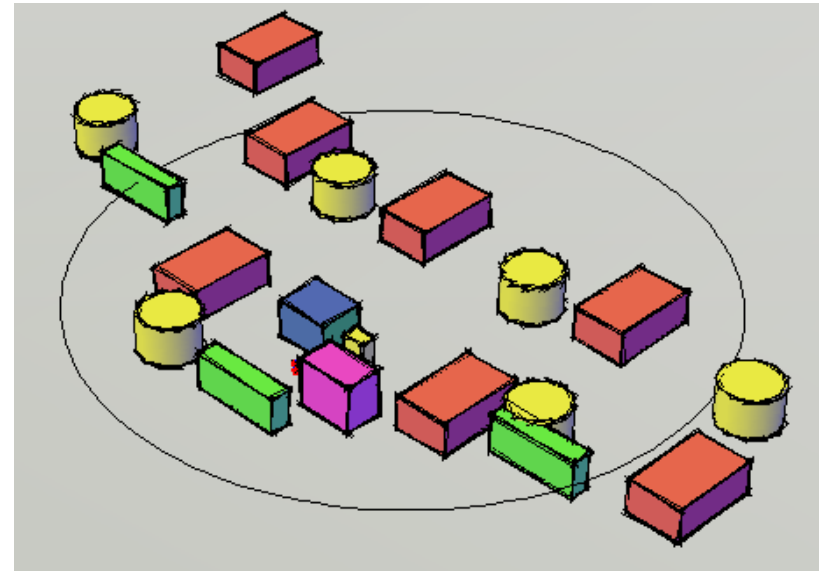
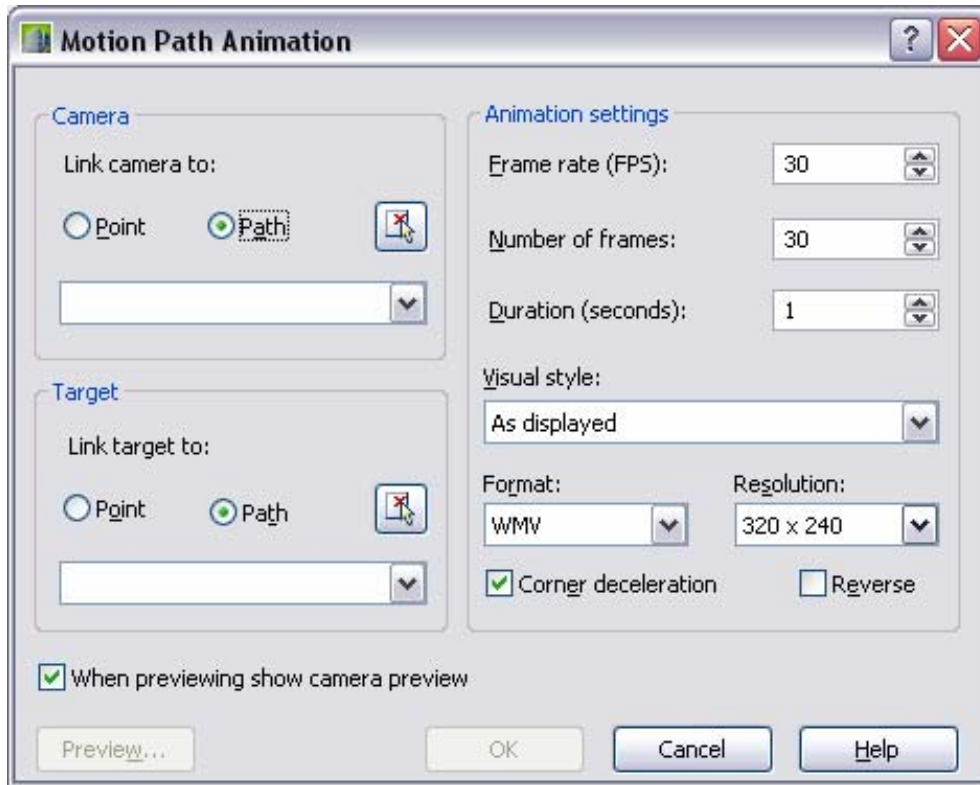
- UCS Tips -

AutoCAD® 2007 3D !



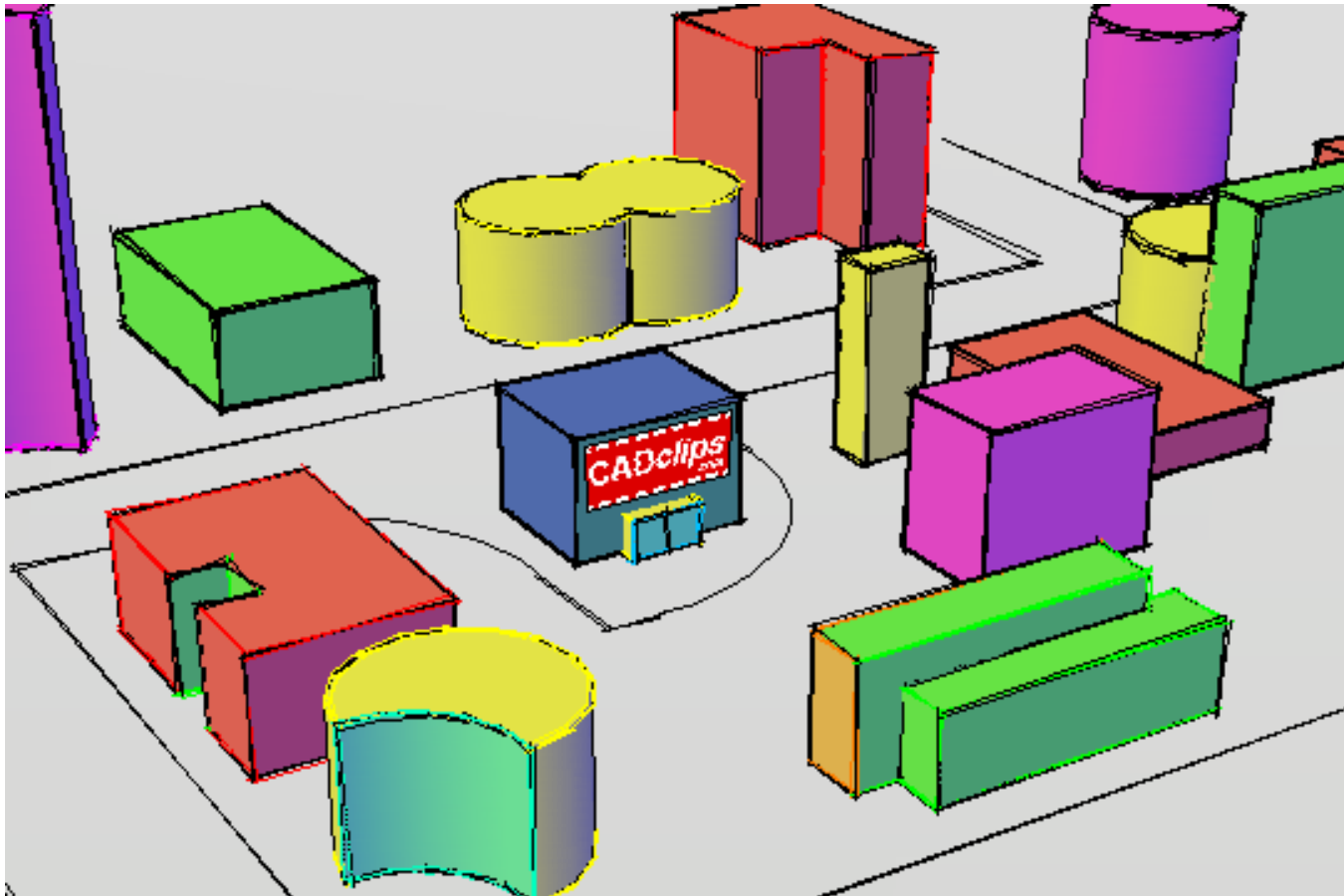
- Camera -

AutoCAD® 2007 3D !



- Motion Picture -

AutoCAD® 2007 3D !



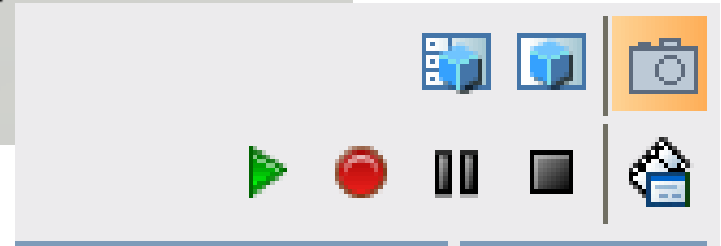
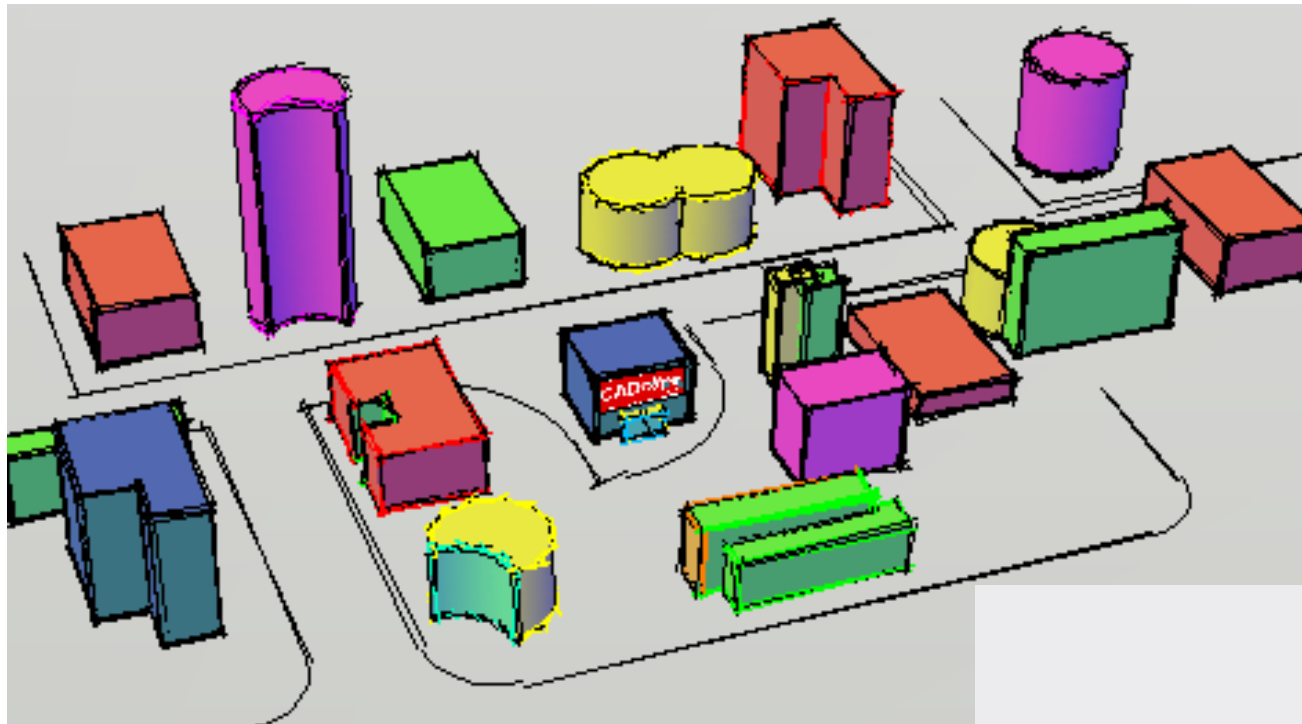
- Fly Through -

AutoCAD® 2007 3D !



- Walk Through -

AutoCAD® 2007 3D !



- Animation Recording -